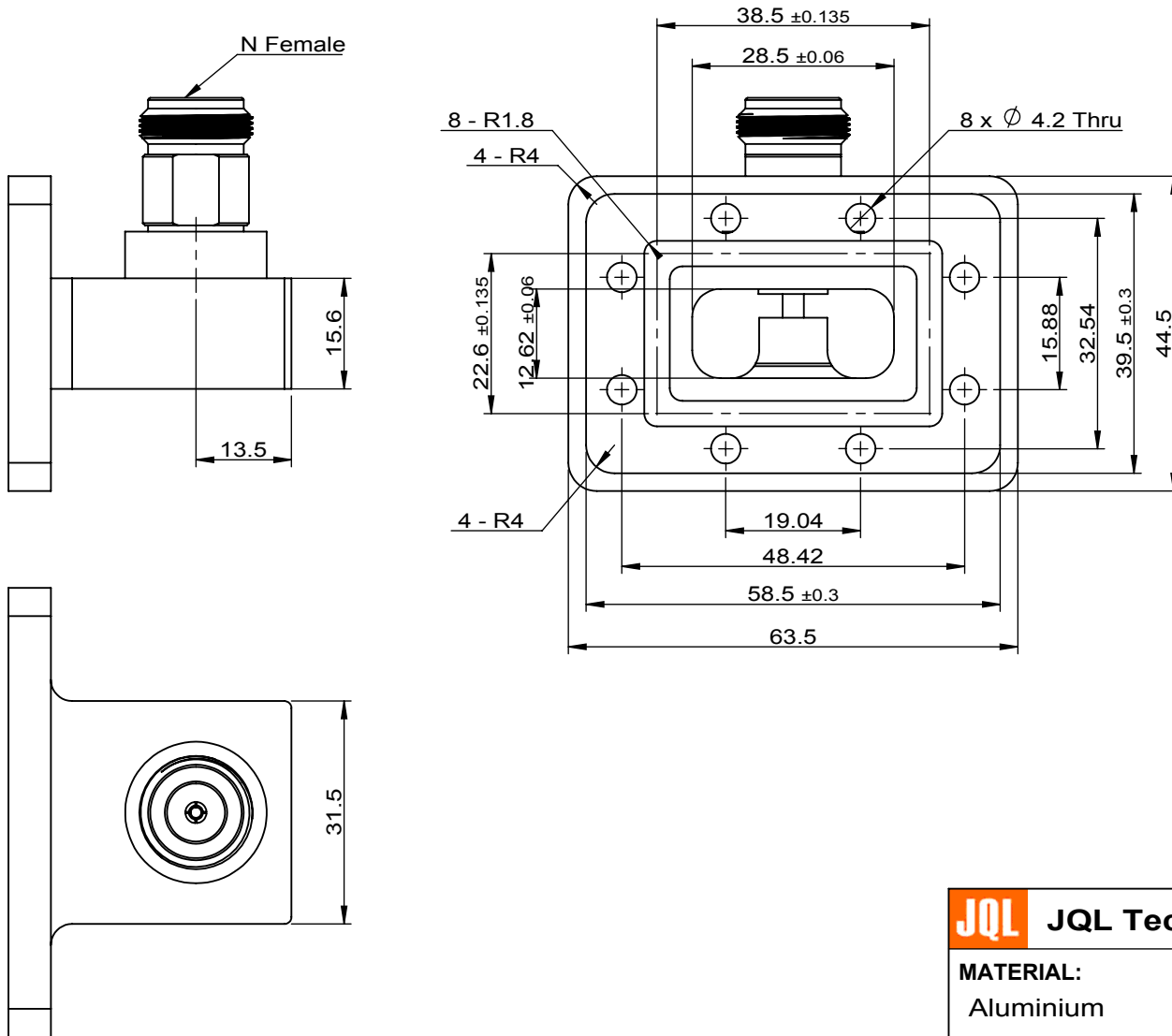


1		2		3		4		5		6	
Document No.	QR4-700-T-003	REV.	A/0	REV.	DESCRIPTION	REVISER	DATE	APPROVED			
				0		YL.Chen	09.20.2022	HC.Qiu			



ITEM	SPECIFICATIONS
Frequency(GHz)	8.0 ~ 8.4
Insertion Loss(dB)	0.3 Max
VSWR	1.25 Max
Power(W)	120 CW ; 240 Peak
Temperature(°C)	-20 ~ +60
Flange	PDR84
Connector	N Female (screwed in or pushed in)
Notes	

JQL JQL Technologies Corporation

MATERIAL: Aluminium

SURFACE TREATMENT: Nickel Plated / Gold Plated

DESCRIPTION: Waveguide Coaxial Adaptor

DWG NO: JWA112-8.0T8.4NF

DWG BY:	YL.Chen	09.20.2022	SCALE
CHK'D BY:			1:1
APPV'D BY:			
Unit:	Tolerance:	The First:	A4
mm[inch]	Liner: ±0.25 Anguar: ±0.5°		



This document is the property of JQL Electronic Inc. It cannot be copied, duplicated, used for manufacturing purposes or communicated to third party as a whole or partly, without the written consent of JQL Electronic Inc.