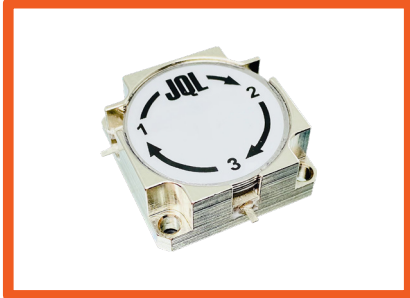


# L Band Drop-In Circulator

## JCD1000T1400M15

### Description:

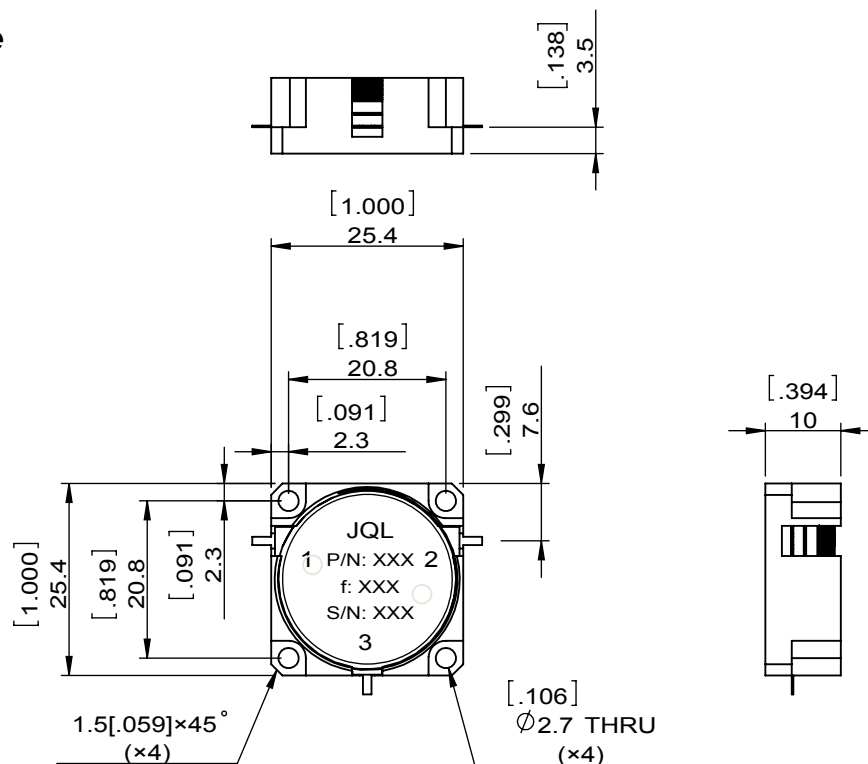


JCD1000T1400M15 is a L band drop-in circulator in the frequency 1.000~1.400 GHz. The device is extremely stable over the temperature range of -40°C to +80°C, with maximum insertion loss of 0.50dB and minimum return loss of 18.0dB. It can handle Power FWD/REV/PK(Watt) of 150/150/-

### Electrical Specification

Part Number	JCD1000T1400M15
Frequency (GHz)	1.000~1.400
Insertion Loss(dB)MAX	0.5
Isolation(dB)MIN	18.0
Return Loss(dB)MIN	18.0
Operating Temperature	-40°C~+80°C
Power FWD/REV/PK(Watt)	150/150/-
Tab(W×LG×THK)(mm[Inch])	1.1[.043]×2.5[.098]×0.2[.008]

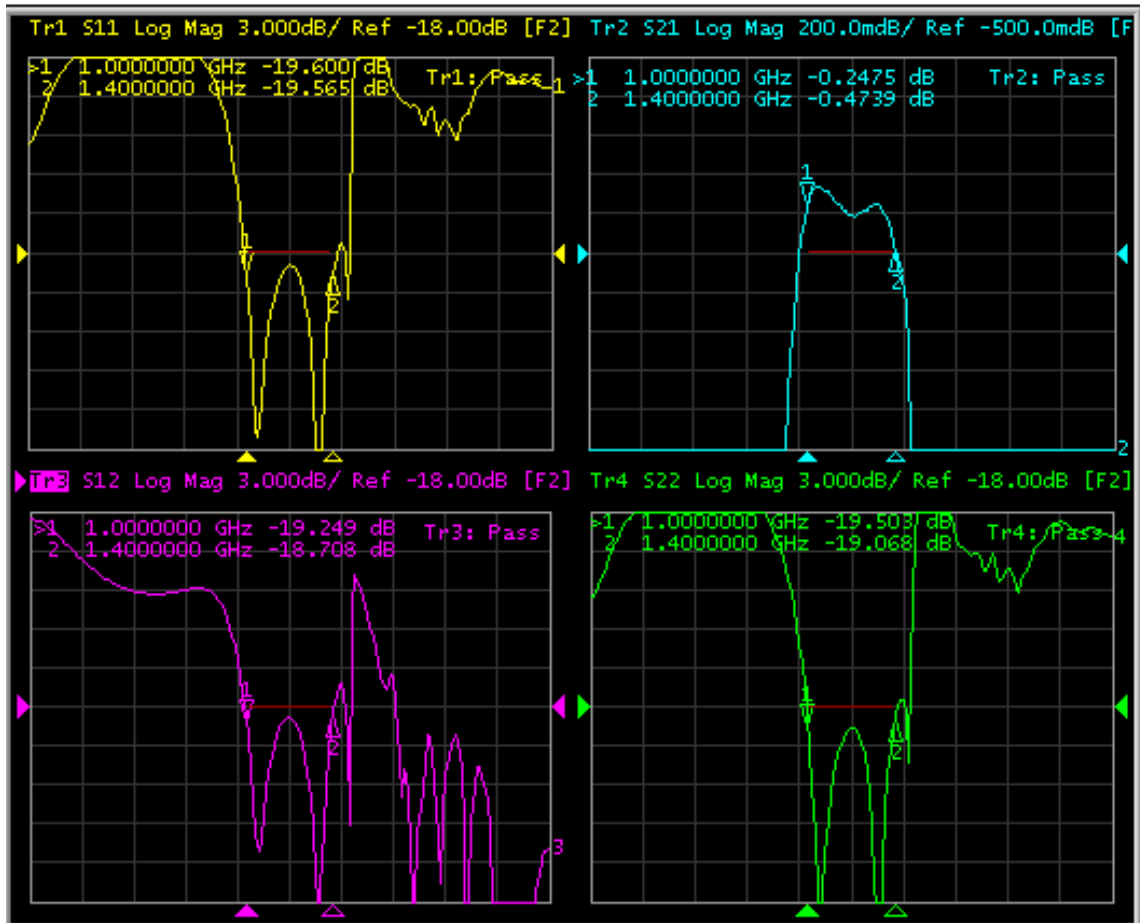
### Outline



# L Band Drop-In Circulator

## JCD1000T1400M15

### Test Data



### Applications

- Telecom

**JQL TECHNOLOGIES**  
TECHNOLOGY ON THE MOVE