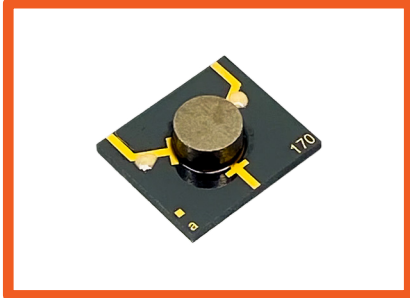


# Ku Band Microstrip Circulator

## 2CMC-17-9BW3.53W15

### Description:

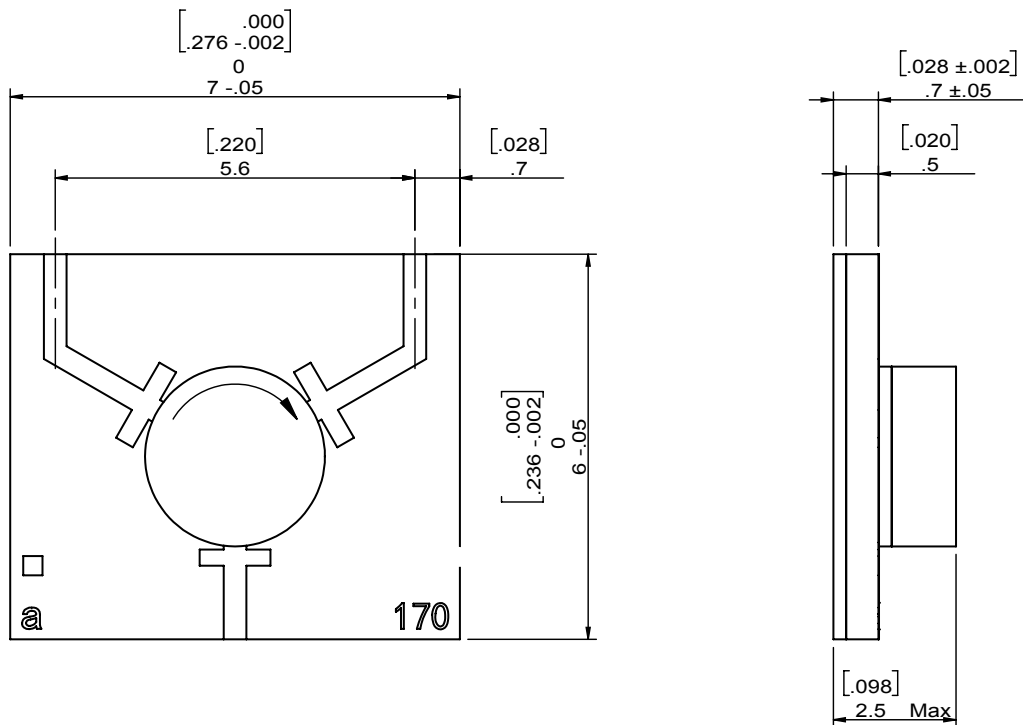


2CMC-17-9BW3.53W15 is a microstrip circulator in the frequency 16.700~17.300 GHz. The device is extremely stable over the temperature range of -55°C~100°C, with maximum insertion loss of 0.6dB and minimum return loss of 17.7dB. It can handle Power FWD/REV/PK(Watt) of 15

### Electrical Specification

Part Number	2CMC-17-9BW3.53W15
Frequency (MHz)	16.700~17.300
Insertion Loss(dB)MAX	0.6
Return Loss(dB)MIN	17.7
Isolation(dB)MIN	18.0
Operating Temperature	-55°C~100°C
Power FWD/REV/PK(Watt)	15

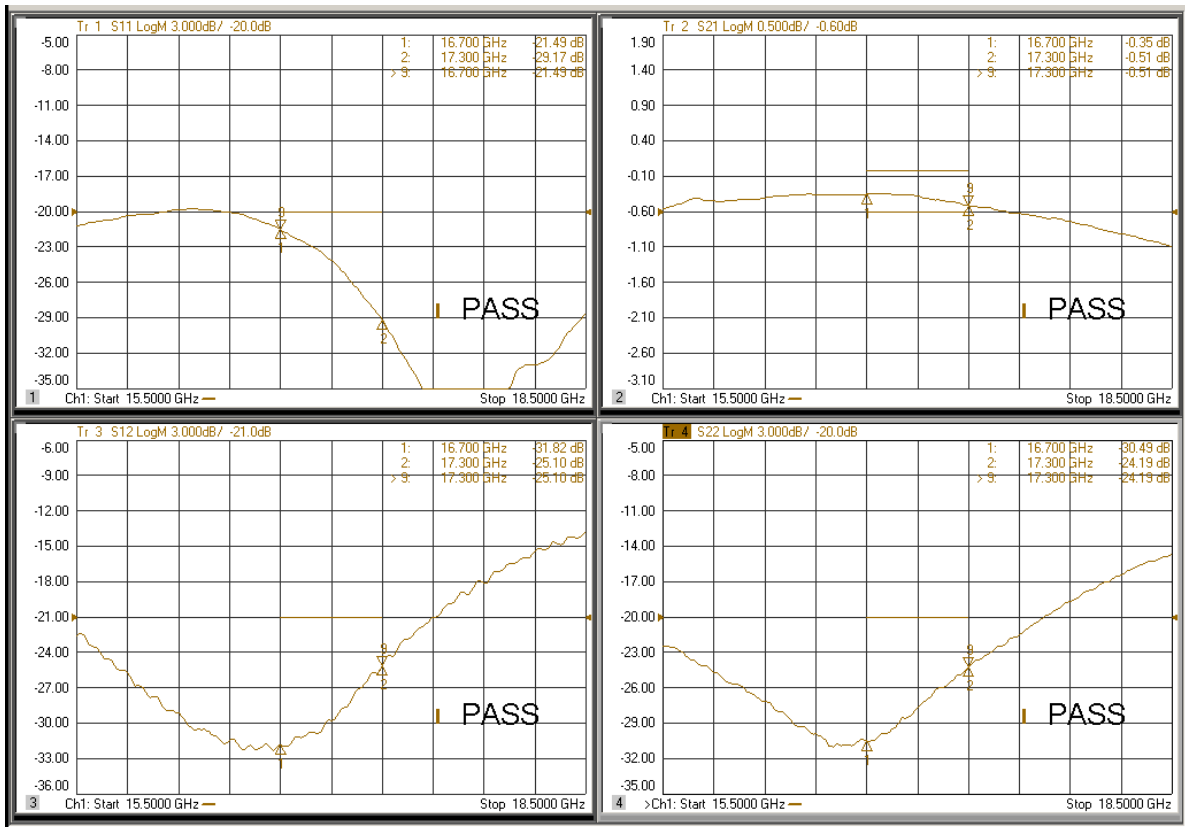
### Outline



# Ku Band Microstrip Circulator

## 2CMC-17-9BW3.53W15

### Test Data



### Applications

- Radar

JQL TECHNOLOGIES  
TECHNOLOGY ON THE MOVE