

UHF Band Surface Mount Circulator

JCM0758T0803PK8

Description:

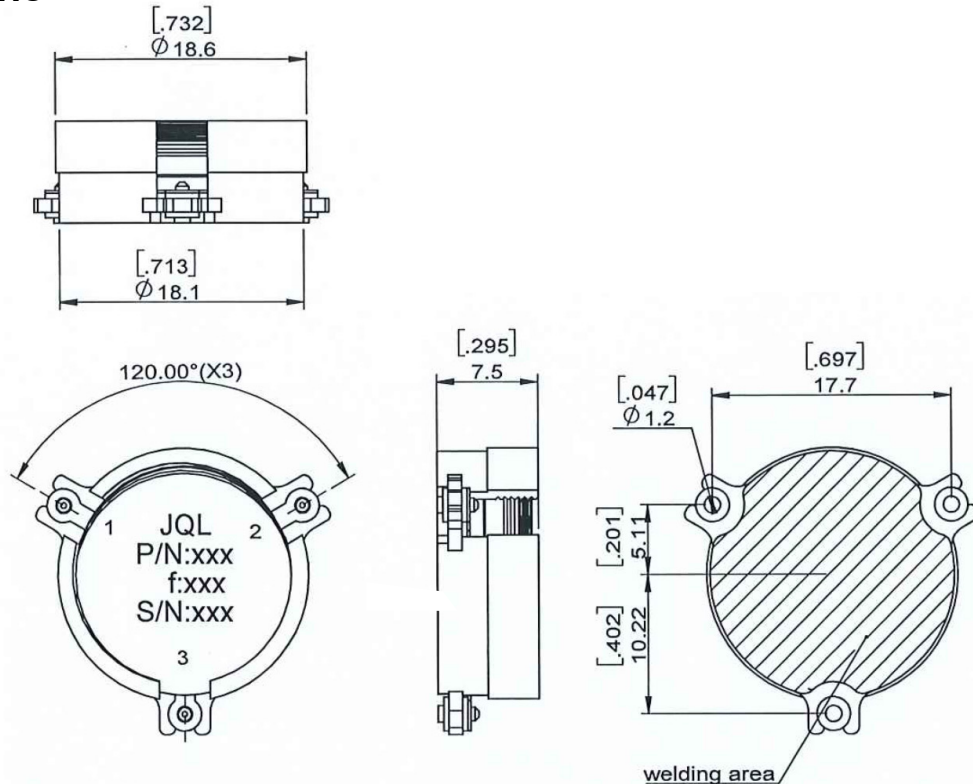


JCM0758T0803PK8 is a surface mount circulator in the frequency 0.758-0.803 GHz. The device is extremely stable over the temperature range of -40°C to +105°C, with maximum insertion loss of 0.35@-40~+85°C || 0.40@+85~+105°C and minimum return loss of 18.0dB. It can handle a CW Power FWD/REV/PK(Watt) of 80/80/250

Electrical Specification

Part Number	JCM0758T0803PK8
Frequency (GHz)	0.758-0.803
Insertion Loss(dB)MAX	0.35@-40~+85°C 0.40@+85~+105°C
Isolation(dB)MIN	18.0
Return Loss(dB)MIN	19.0@-40~+85°C 17.0@+85~+105°C
Operating Temperature	-40°C~105°C
Power FWD/REV/PK(Watt)	80/80/250

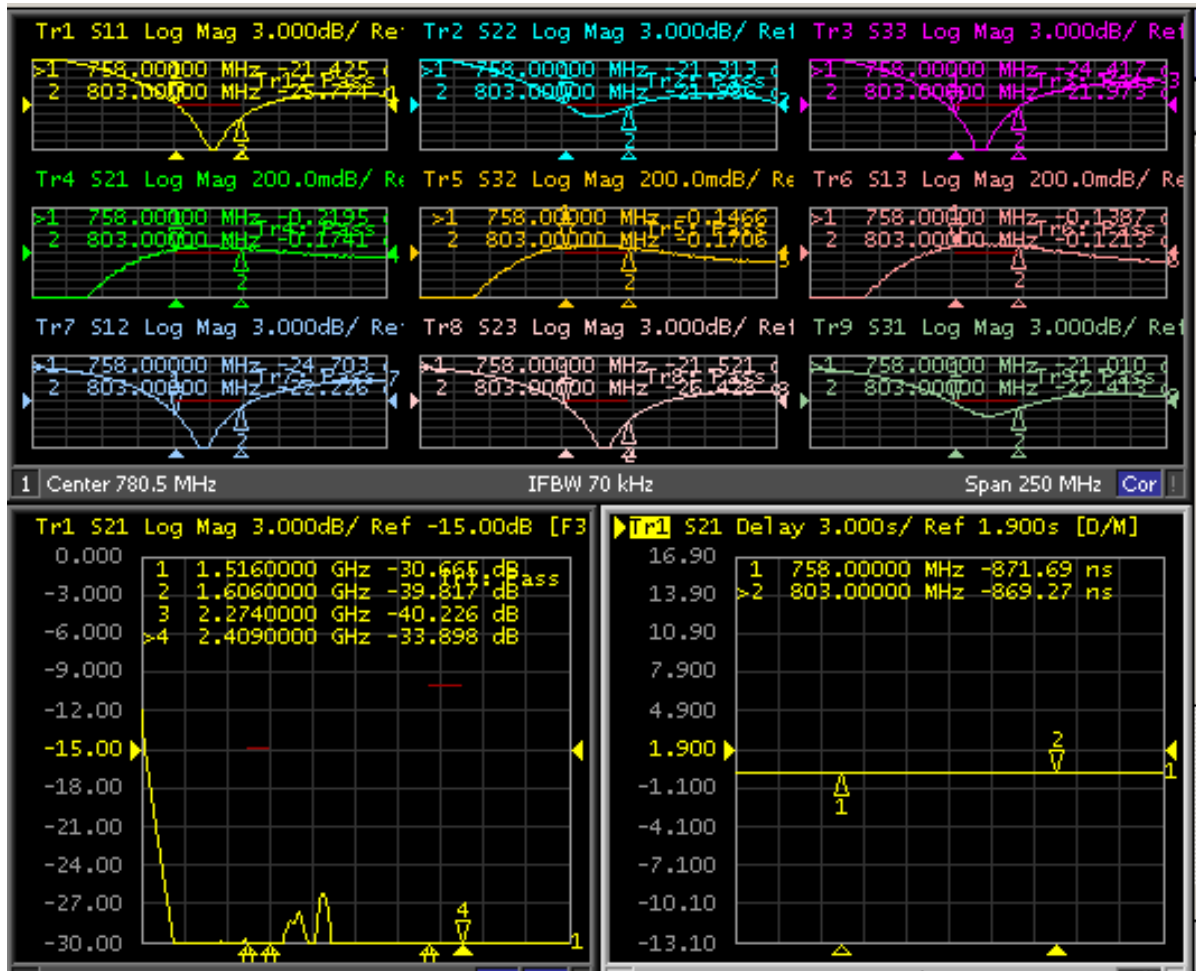
Outline



UHF Band Surface Mount Circulator

JCM0758T0803PK8

Test Data



Applications

- Telecom

JQL TECHNOLOGIES
 TECHNOLOGY ON THE MOVE