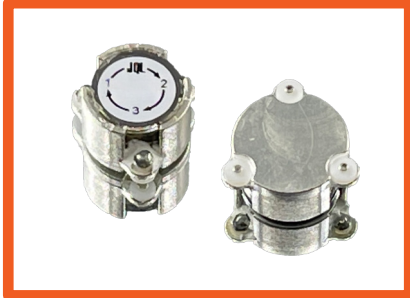


S Band Surface Mount Circulator

JCM2466T2720PM8

Description:

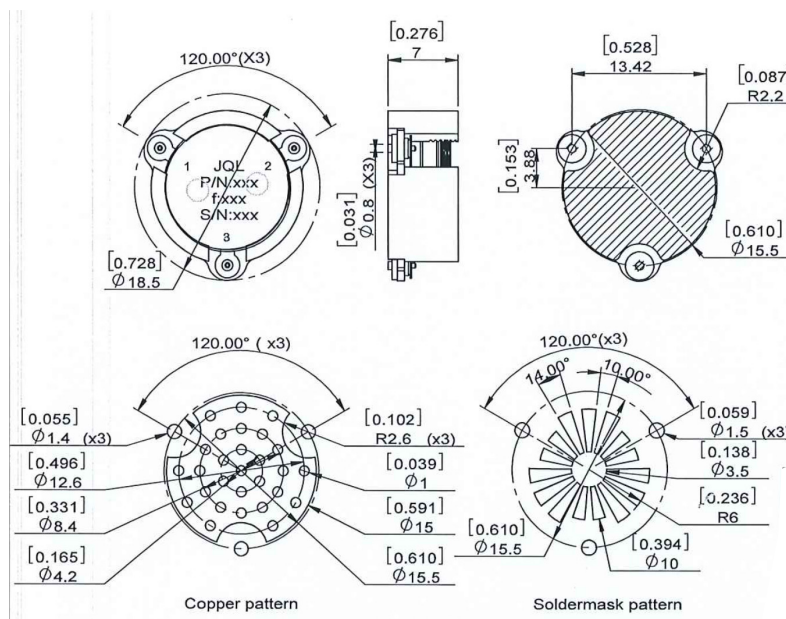


JCM2466T2720PM8 is a surface mount circulator in the frequency 2.466~2.720GHz. The device is extremely stable over the temperature range of -40°C to +100°C, with maximum insertion loss of 0.25@25°C@(2466-2720MHz) & 0.30@-40~+100°C(2496-2690MHz) and minimum return loss of 20.0@+25°C(2466-2720MHz), 23.0@+25°C(2496-2690MHz) & 20.0@-40~+100°C(2496-2690MHz). It can handle a CW Power FWD/REV/PK(Watt) of 80/80/-

Electrical Specification

Part Number	JCM2466T2720PM8
Frequency (GHz)	2.466~2.720
Insertion Loss(dB)MAX	0.25@25°C@(2466-2720MHz) 0.30@-40~+100°C(2496-2690MHz)
Isolation(dB)MIN	20.0@+25°C(2466-2720MHz) 23.0@+25°C(2496-2690MHz) 20.0 -40~+100°C(2496-2690MHz)
Return Loss(dB)MIN	20.0@+25°C(2466-2720MHz) 23.0@+25°C(2496-2690MHz) 20.0 -40~+100°C(2496-2690MHz)
Operating Temperature	-40°C~+100°C
Power FWD/REV/PK(Watt)	80/80/-

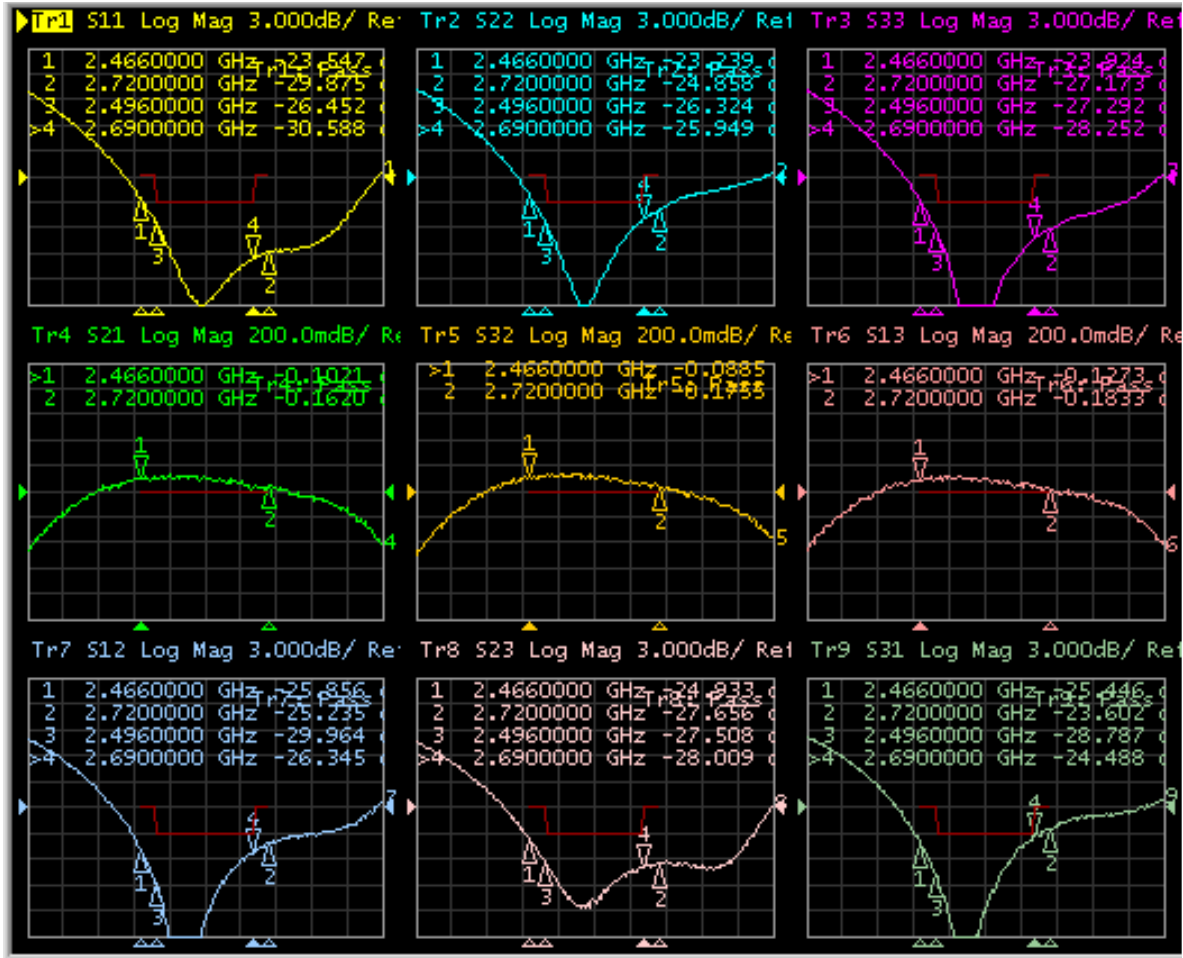
Outline



S Band Surface Mount Circulator

JCM2466T2720PM8

Test Data



Applications

- Telecom