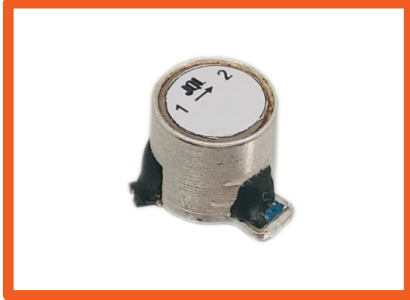


C Band Surface Mount Isolator

JIM5200T5900LM15P

Description:

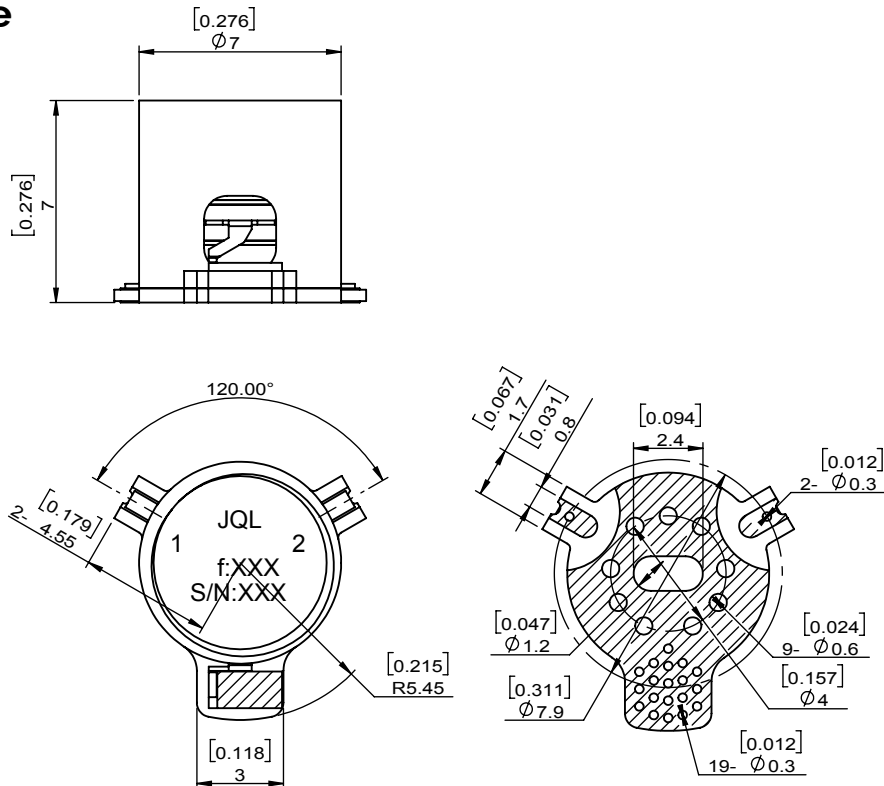


JIM5200T5900LM15P is a surface mount isolator in the frequency 5.200~5.900GHz. The device is extremely stable over the temperature range of -40°C to +130°C, with maximum insertion loss of 0.38@-40~+100°C & 0.45@+100~+130°C and minimum return loss of 20.0@-40~+100°C & 18.0@+100~+130°C. It can handle Power FWD/REV/PK(Watt) of -/-/150

Electrical Specification

Part Number	JIM5200T5900LM15P
Frequency (GHz)	5.200~5.900
Insertion Loss(dB)MAX	0.38@-40~+100°C 0.45@+100~+130°C
Isolation(dB)MIN	20.0@-40~+100°C 18.0@+100~+130°C
Return Loss(dB)MIN	20.0@-40~+100°C 18.0@+100~+130°C
Operating Temperature	-40°C~+130°C
Power FWD/REV/PK(Watt)	-/-/150

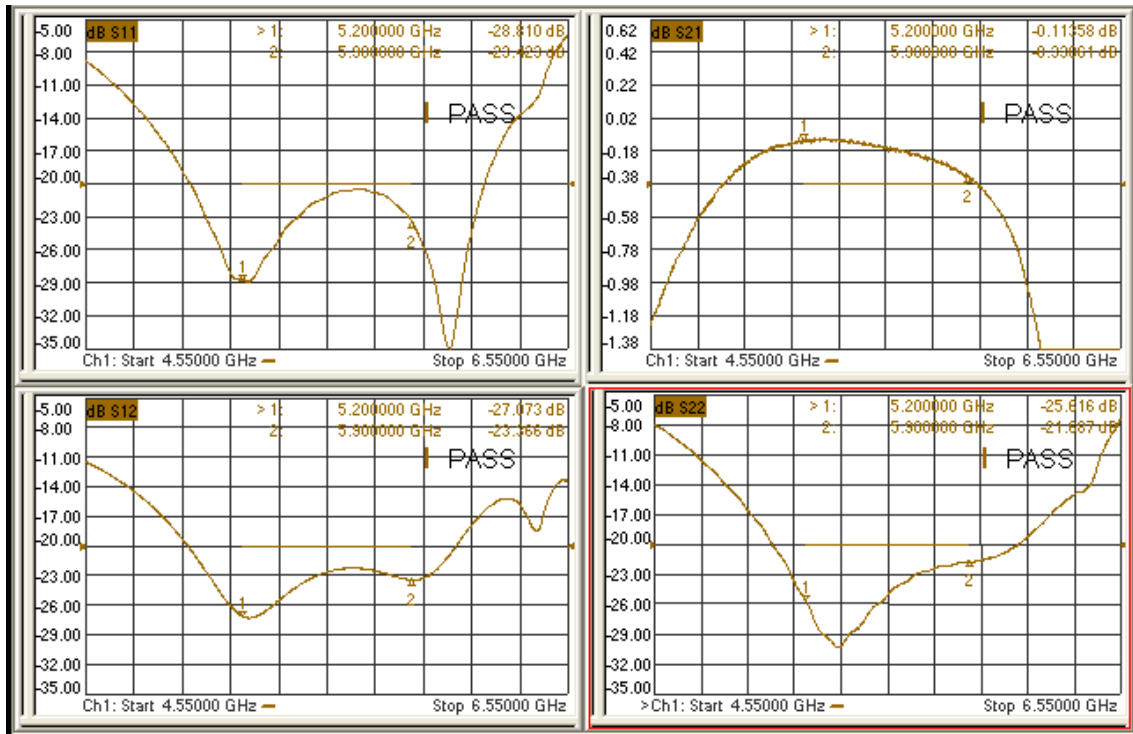
Outline



C Band Surface Mount Isolator

JIM5200T5900LM15P

Test Data



Applications

- Radar

JQL TECHNOLOGIES
TECHNOLOGY ON THE MOVE