

# X Band Surface Mount Isolator

## JIM8500T10K5XM2C

### Description:

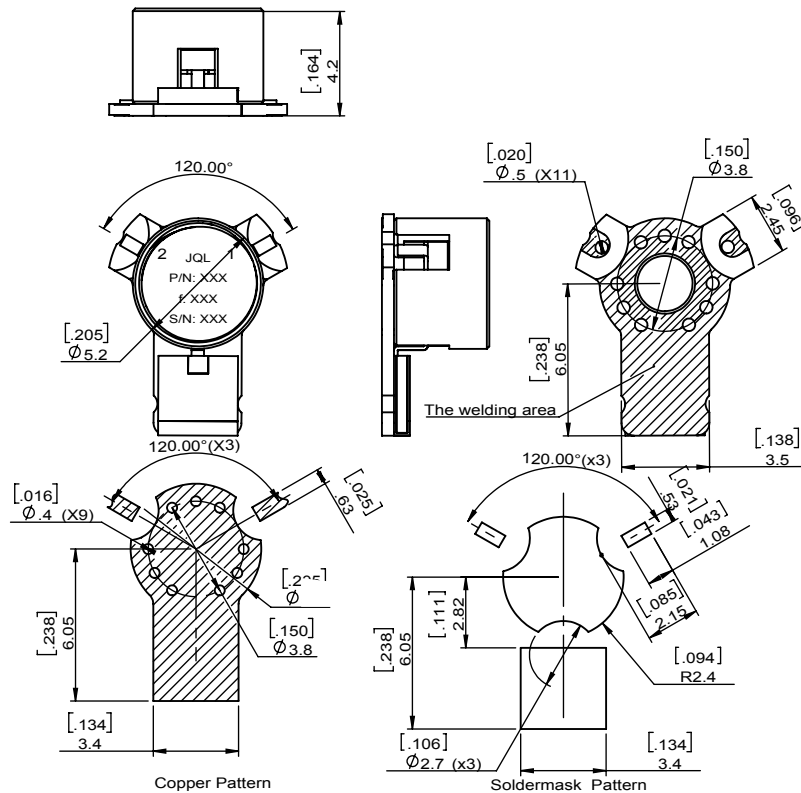


JIM8500T10K5XM2C is a surface mount isolator in the frequency 8.500~10.500GHz. The device is extremely stable over the temperature range of -40°C to +85°C, with maximum insertion loss of 0.5dB @+25°C & 0.7dB@-40~+85°C and minimum return loss of 18.0dB@+25°C & 17.0dB@-40~+85°C. It can handle a CW Power FWD/REV/PK(Watt) of 20/20/20 20% duty cycle and 100 µsec

### Electrical Specification

Part Number	JIM8500T10K5XM2C
Frequency (GHz)	8.500~10.500
Insertion Loss(dB)MAX	0.5@+25°C    0.7@-40~+85°C
Isolation(dB)MIN	18.0@+25°C    17.0@-40~+85°C
Return Loss(dB)MIN	18.0@+25°C    17.0@-40~+85°C
Operating Temperature	-40°C~85°C
Power FWD/REV/PK(Watt)	20/20/20 20% duty cycle and 100 µsec

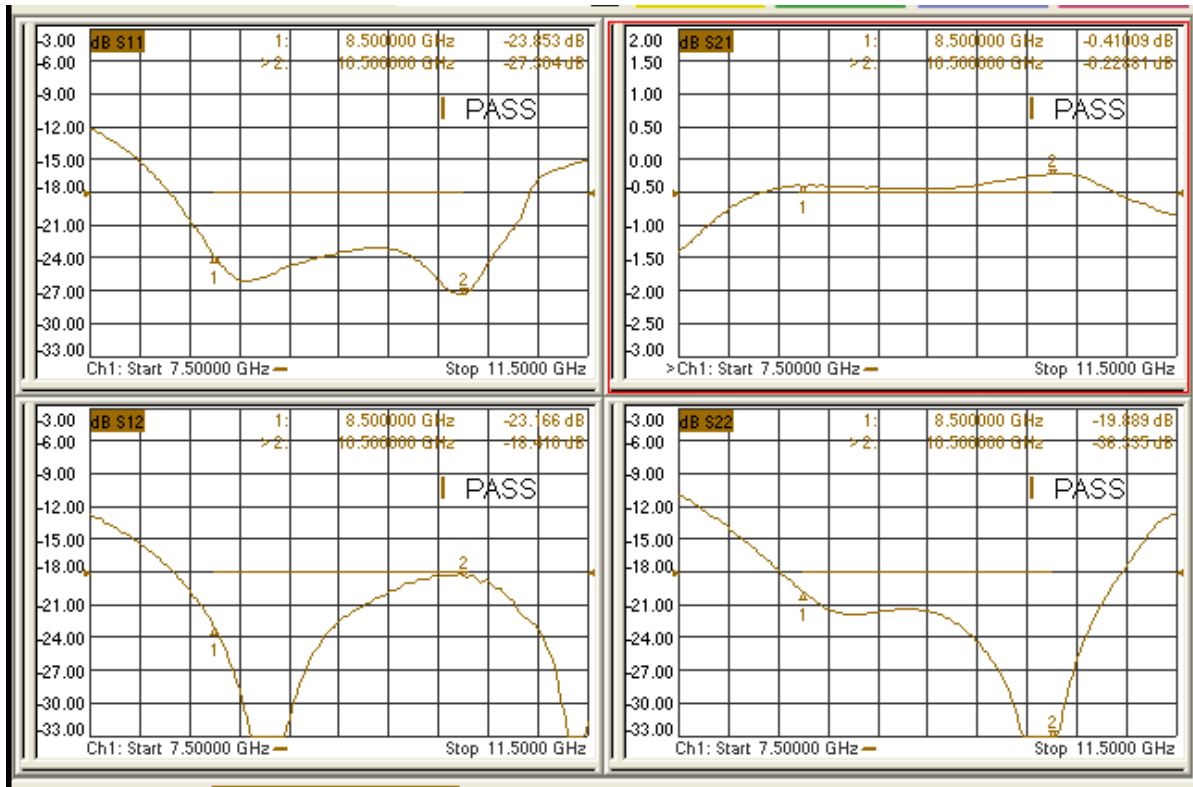
### Outline



# X Band Surface Mount Isolator

## JIM8500T10K5XM2C

### Test Data



### Applications

- Radar