

# S Band Surface Mount Circulator

## JCM2400T2500PT1R

### Description:

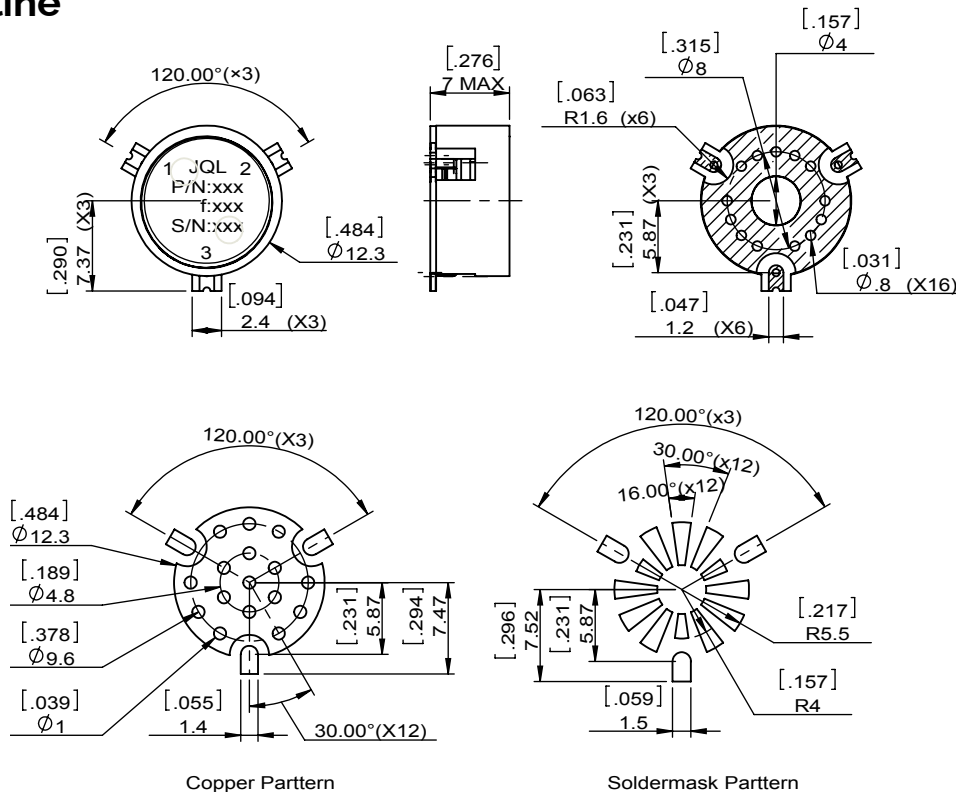


JCM2400T2500PT1R is a surface mount circulator in the frequency 2.400~2.500 GHz. The device is extremely stable over the temperature range of -40°C to +85°C, with maximum insertion loss of 0.30@+25°C || 0.35@-40~+85°C and minimum return loss of 21.0@+25°C || 19.0@-40~+85°C. This circulator can handle a CW Power FWD/REV/PK(Watt) of 25/25/-

### Electrical Specification

Part Number	JCM10K0T10K5VM6R
Frequency (MHz)	2.400~2.500
Insertion Loss(dB)MAX	0.30@+25°C    0.35@-40~+85°C
Isolation(dB)MIN	21.0@+25°C    19.0@-40~+85°C
Return Loss(dB)MIN	21.0@+25°C    19.0@-40~+85°C
Operating Temperature	-40°C~+85°C
Power FWD/REV/PK(Watt)	25/25/-

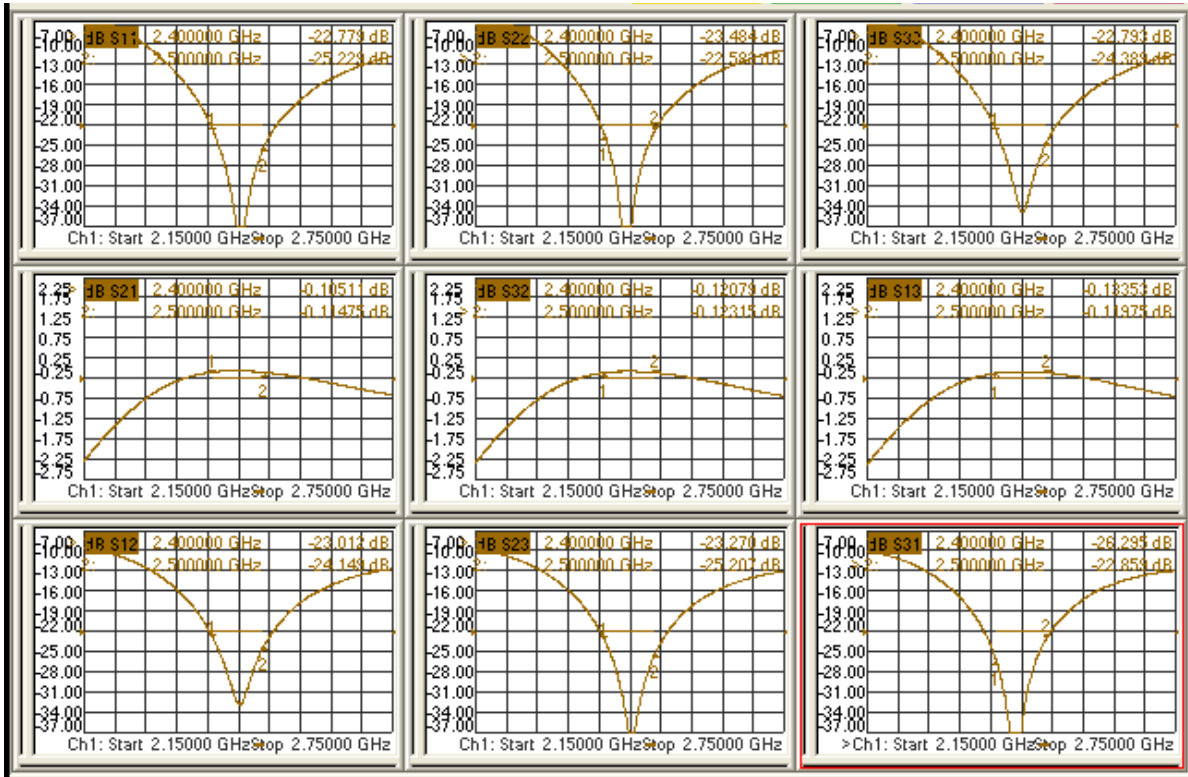
### Outline



# S Band Surface Mount Circulator

## JCM2400T2500PT1R

### Test Data



### Applications

- Telecom

JQL TECHNOLOGIES  
TECHNOLOGY ON THE MOVE