

# X Band Surface Mount Circulator

## JCM8200T8600VM0

### Description:

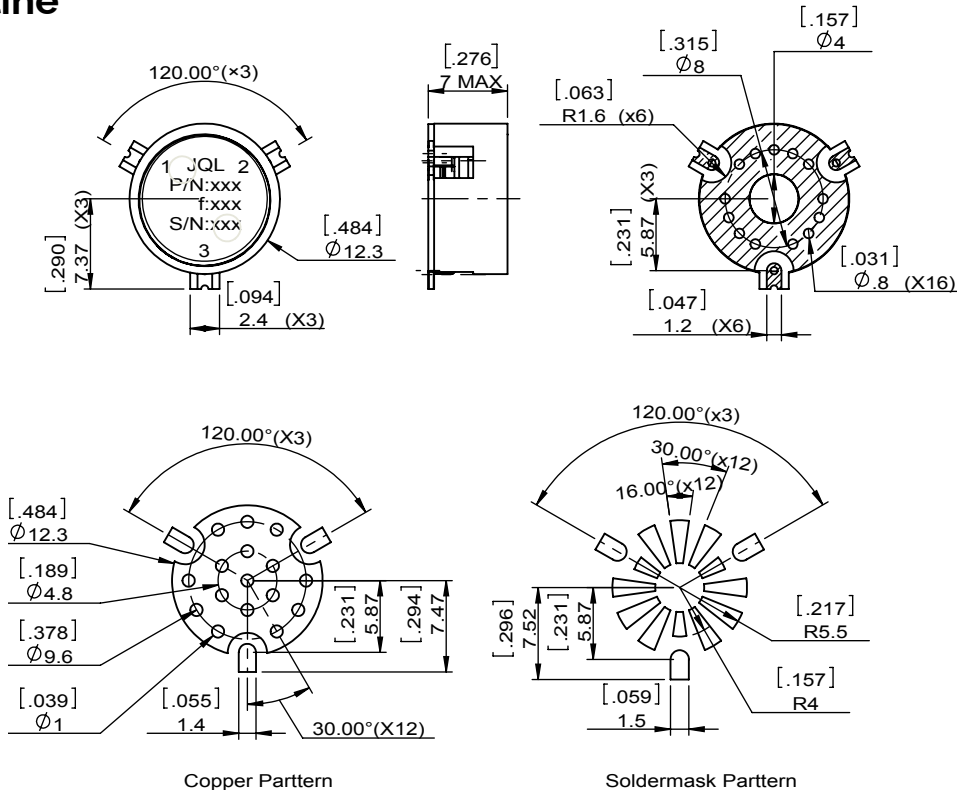


JCM8200T8600VM0 is a surface mount circulator in the frequency 8.200~8.600 GHz. The device is extremely stable over the temperature range of -40°C to +85°C, with maximum insertion loss of 0.5dB and minimum return loss of 18.0dB. This circulator can handle a CW Power FWD/REV/PK(Watt) of 15/10/-

### Electrical Specification

Part Number	JCM8200T8600VM0
Frequency (MHz)	8.200~8.600
Insertion Loss(dB)MAX	0.5
Isolation(dB)MIN	18.0
Return Loss(dB)MIN	18.0
Operating Temperature	-40°C~+85°C
Power FWD/REV/PK(Watt)	15/10/-

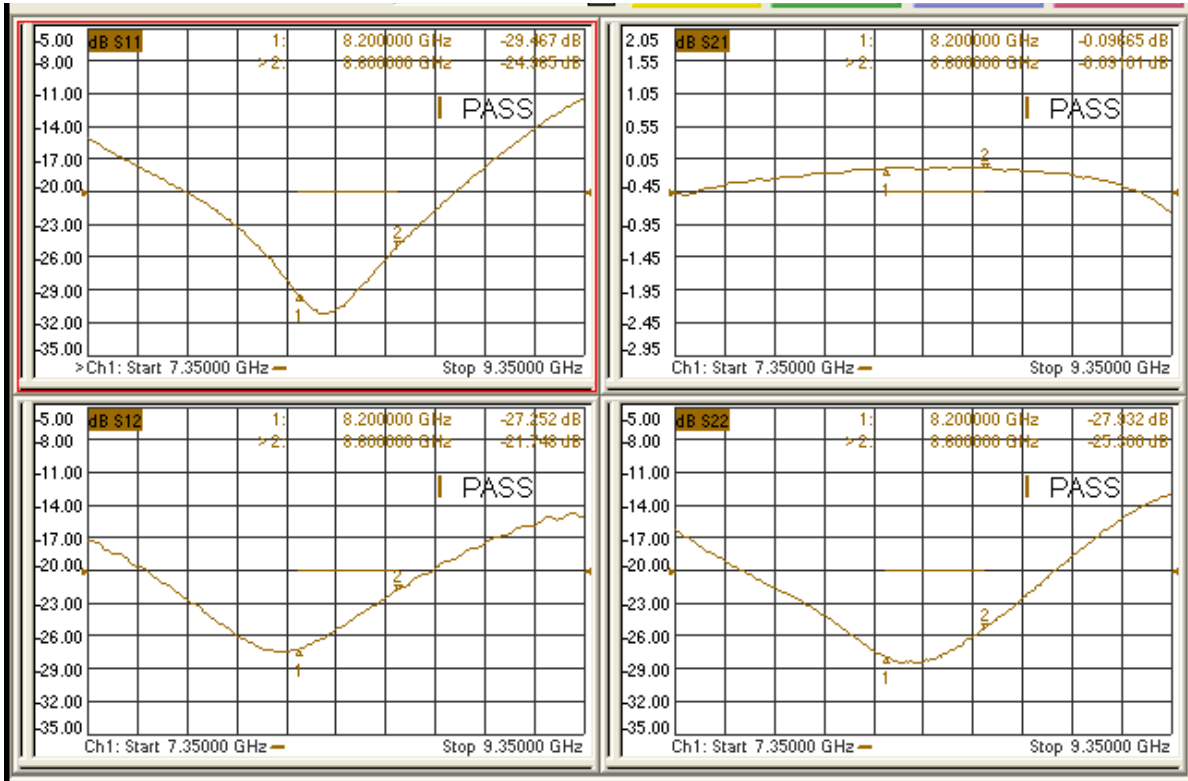
### Outline



# X Band Surface Mount Circulator

## JCM8200T8600VM0

### Test Data



### Applications

- Radar