

X Band Surface Mount Isolator

JIM9000T10K6G0

Description:

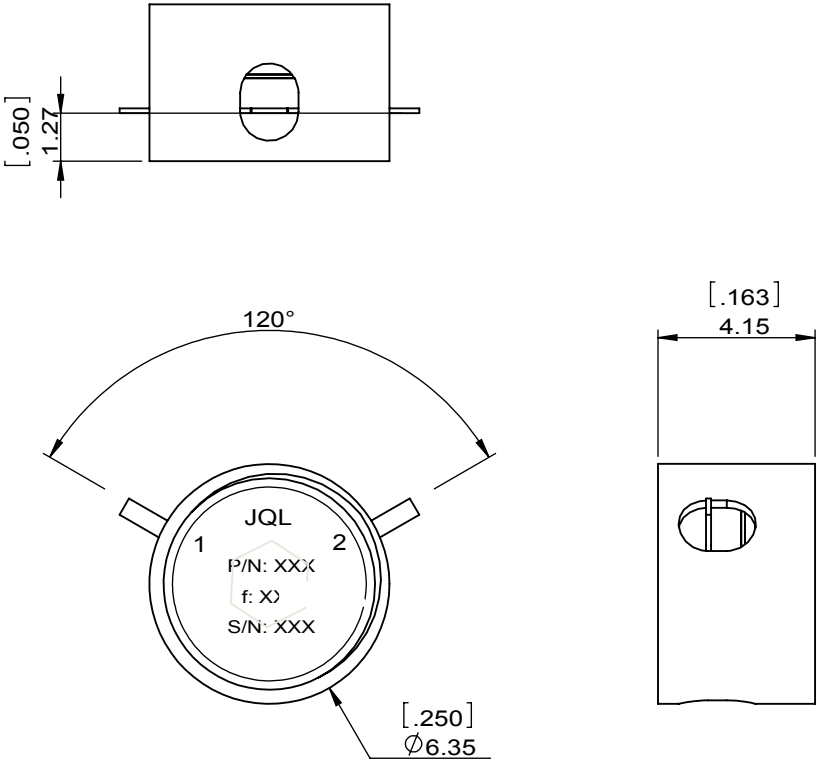


JIM9000T10K6G0 is a surface mount isolator in the frequency 9.000~10.600GHz. The device is extremely stable over the temperature range of -40°C to +75°C, with maximum insertion loss of 0.5dB and minimum return loss of 19.0dB. It can handle a CW Power FWD/REV/PK(Watt) of 2/1/-

Electrical Specification

Part Number	JIM9000T10K6G0
Frequency (GHz)	9.000~10.600
Insertion Loss(dB)MAX	0.50
Isolation(dB)MIN	19.0
Return Loss(dB)MIN	19.0
Operating Temperature	-40°C~75°C
Power FWD/REV/PK(Watt)	2/1/-

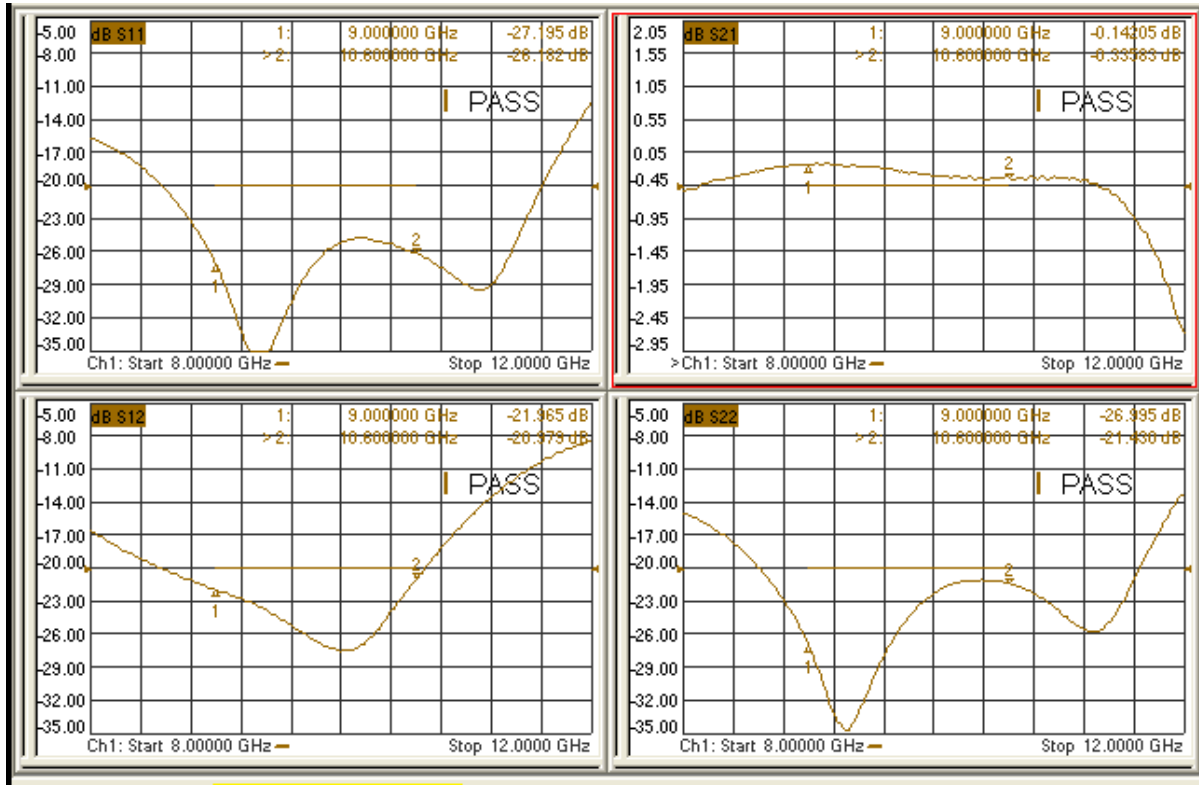
Outline



X Band Surface Mount Isolator

JIM9000T10K6G0

Test Data



Applications

- Radar

JQL TECHNOLOGIES
TECHNOLOGY ON THE MOVE