

# X Band Coaxial Isolator

## JIC8550T9350SMSM0

### Description:

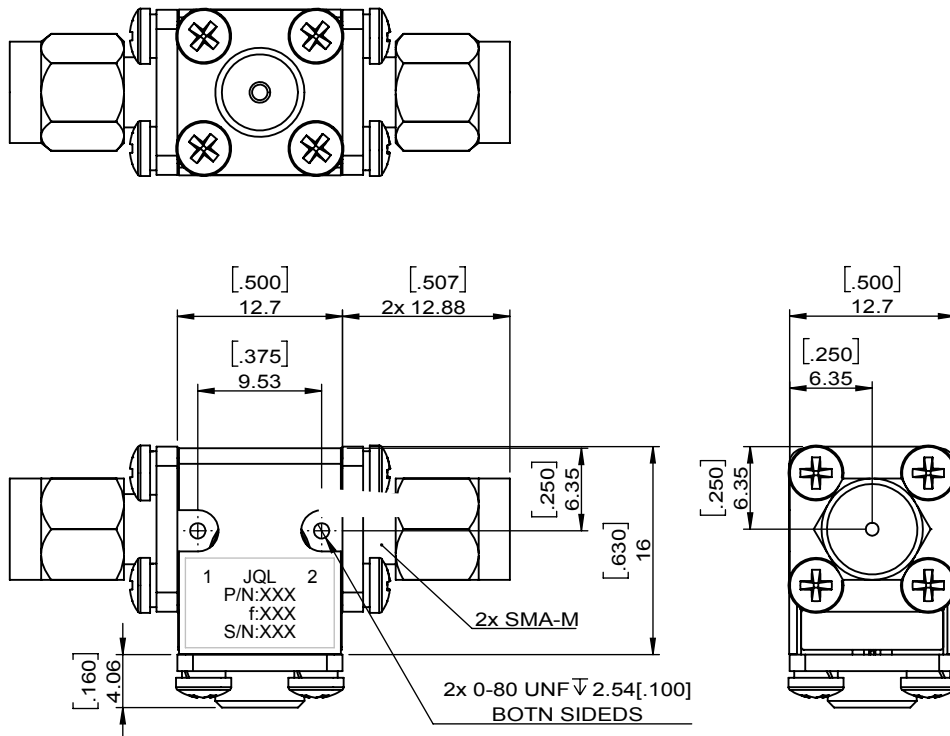


JIC8550T9350SMSM0 is a coaxial isolator in the frequency 8.550~9.350GHz. The device is extremely stable over the temperature range of -30°C to +70°C, with maximum insertion loss of 0.30dB and minimum return loss of 20.0dB. It can handle CW Power FWD/REV/PK(Watt) of 1/2/2

### Electrical Specification

Part Number	JIC8550T9350SMSM0
Frequency (GHz)	8.550~9.350
Insertion Loss(dB)MAX	0.30
Isolation(dB)MIN	22.0
Return Loss(dB)MIN	20.0
Operating Temperature	-30°C~70°C
Power FWD/REV/PK(Watt)	1/2/2

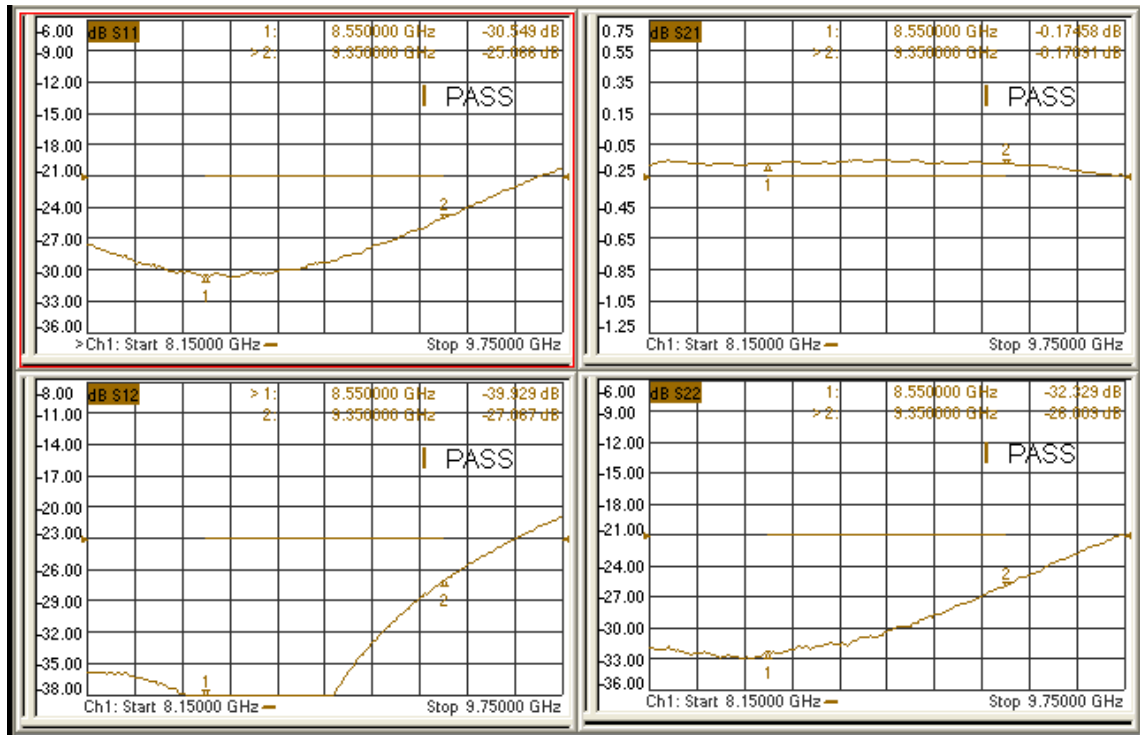
### Outline



# X Band Coaxial Isolator

## JIC8550T9350SM5M0

### Test Data



### Applications

- Radio Link