

S Band Surface Mount Isolator

JIM5330T5480PT2

Description:

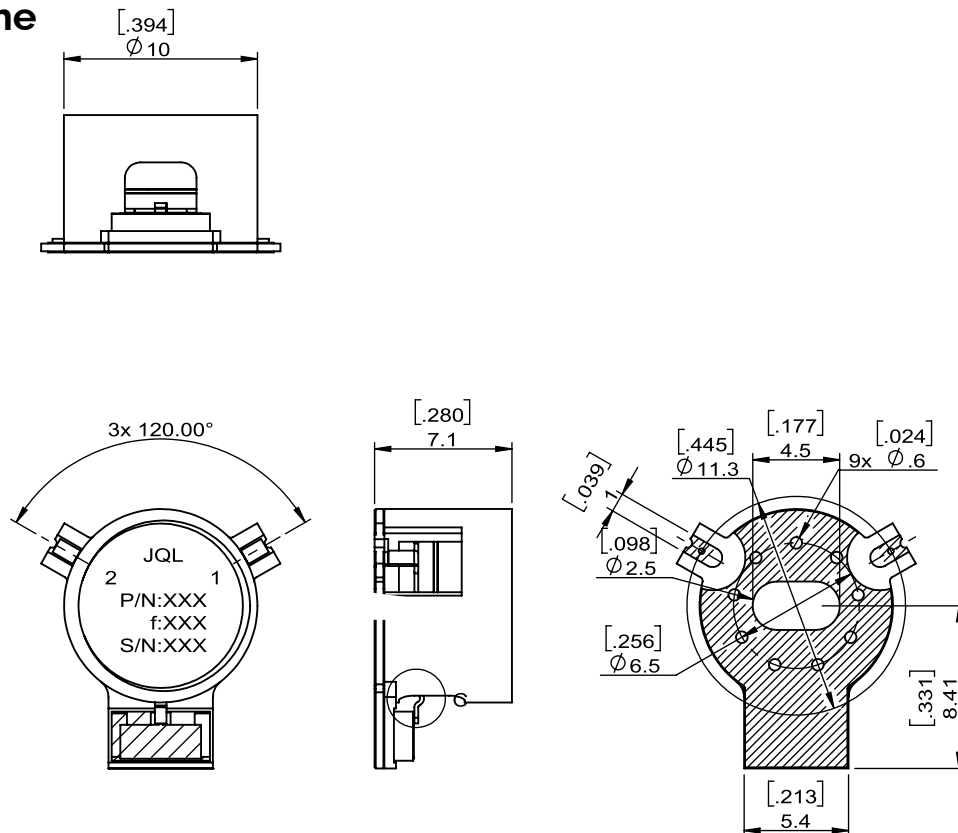


JIM5330T5480PT2 is a surface mount isolator in the frequency 5.330~5.480 GHz. The device is extremely stable over the temperature range of -40°C to +85°C, with maximum insertion loss of 0.30dB and minimum return loss of 23.0 || 21.0 (-40~85°)dB. It can handle a CW Power FWD/REV/PK(Watt) of 20/20/40

Electrical Specification

Part Number	JIM5330T5480PT2
Frequency (GHz)	5.330~5.480
Insertion Loss(dB)MAX	0.3
Isolation(dB)MIN	23.0 21.0 (-40~85°)
Return Loss(dB)MIN	23.0 21.0 (-40~85°)
Operating Temperature	-40°C~85°C
Power FWD/REV/PK(Watt)	20/20/40

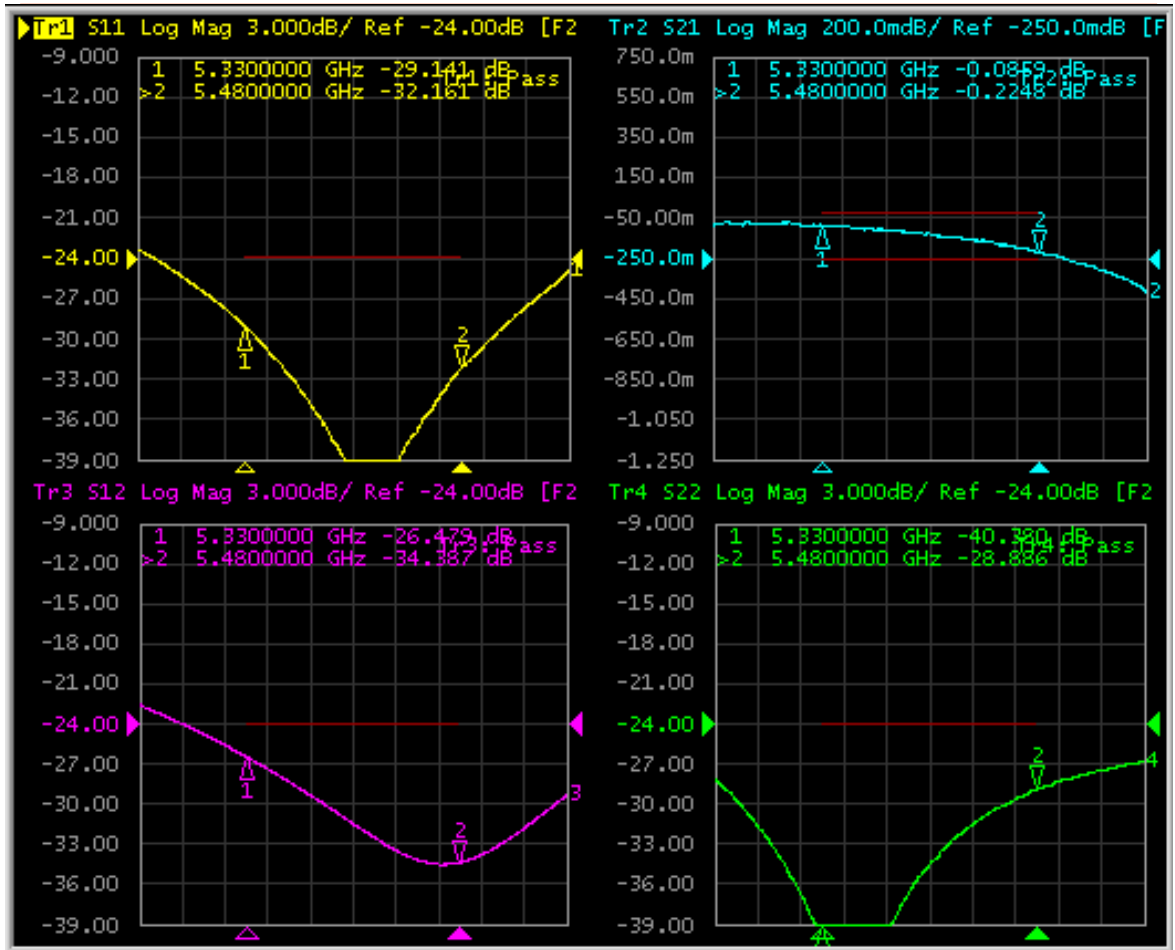
Outline



S Band Surface Mount Isolator

JIM5330T5480PT2

Test Data



Applications

- Space
- Surveillance