

X Band Surface Mount Isolator

JIM9000T10K5G0

Description:

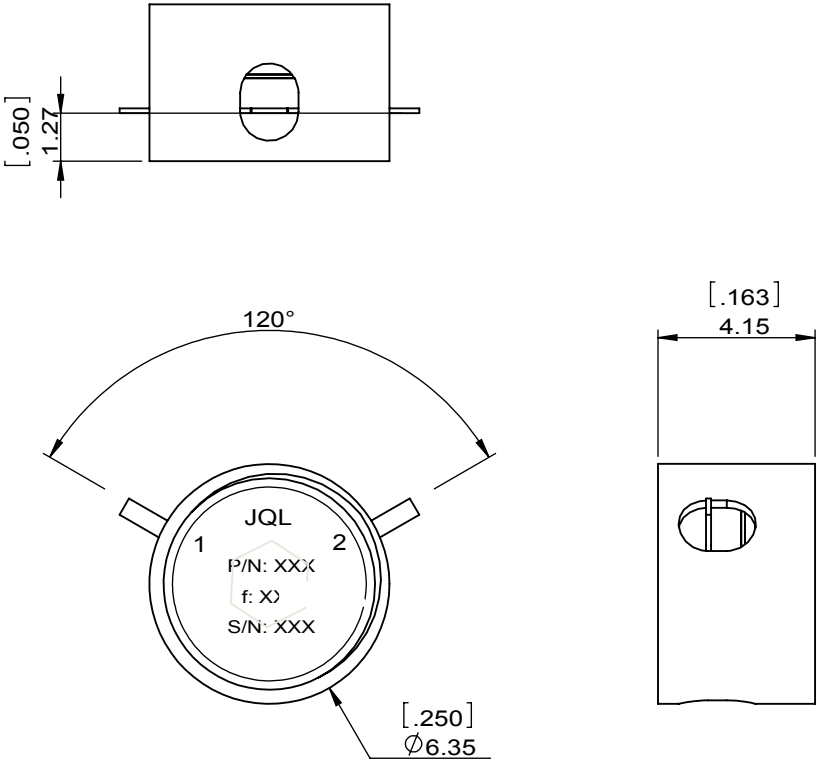


JIM9000T10K5G0 is a surface mount isolator in the frequency 9.000~10.500GHz. The device is extremely stable over the temperature range of -40°C to +85°C, with maximum insertion loss of 0.5dB and minimum return loss of 19.0dB. It can handle a CW Power FWD/REV/PK(Watt) of 2/1/-

Electrical Specification

Part Number	JIM9000T10K5G0
Frequency (GHz)	9.000~10.500
Insertion Loss(dB)MAX	0.50
Isolation(dB)MIN	19.0
Return Loss(dB)MIN	19.0
Operating Temperature	-40°C~85°C
Power FWD/REV/PK(Watt)	2/1/-

Outline



X Band Surface Mount Isolator

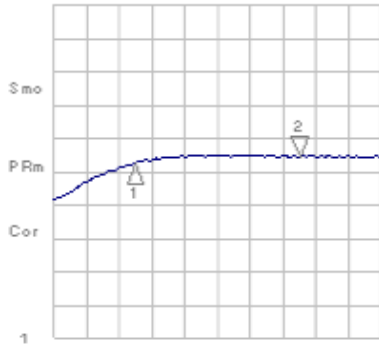
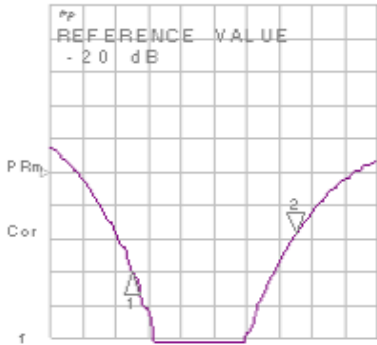
JIM9000T10K5G0

Test Data

4 Dec 1981 13:02:40

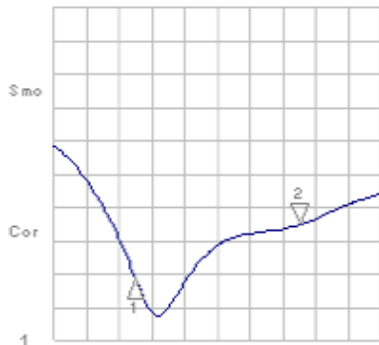
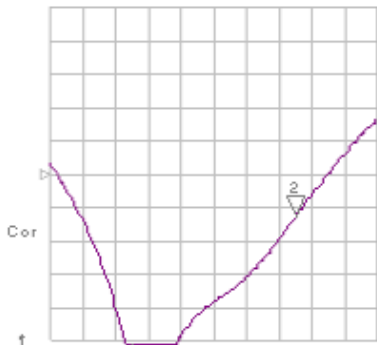
CH1 LOG 3 dB/ REF -20 dB
S11 2:-25.552 dB 10.500 000 000 GHz

CH2 LOG .5 dB/ REF -.5 dB
S21/M 2:-.26700 dB 10.500 000 000 GHz



CH3 LOG 3 dB/ REF -20 dB
S12 2:-23.308 dB 10.500 000 000 GHz

CH4 LOG 3 dB/ REF -20 dB
S22 2:-24.503 dB 10.500 000 000 GHz



Applications

- Radar