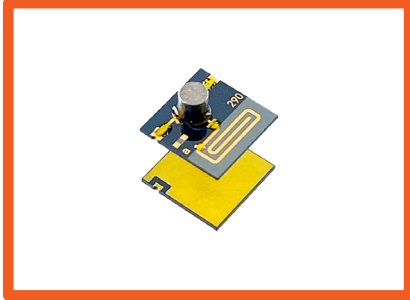


Ka Band Microstrip Isolator

JISM27K0T31K0

Description:

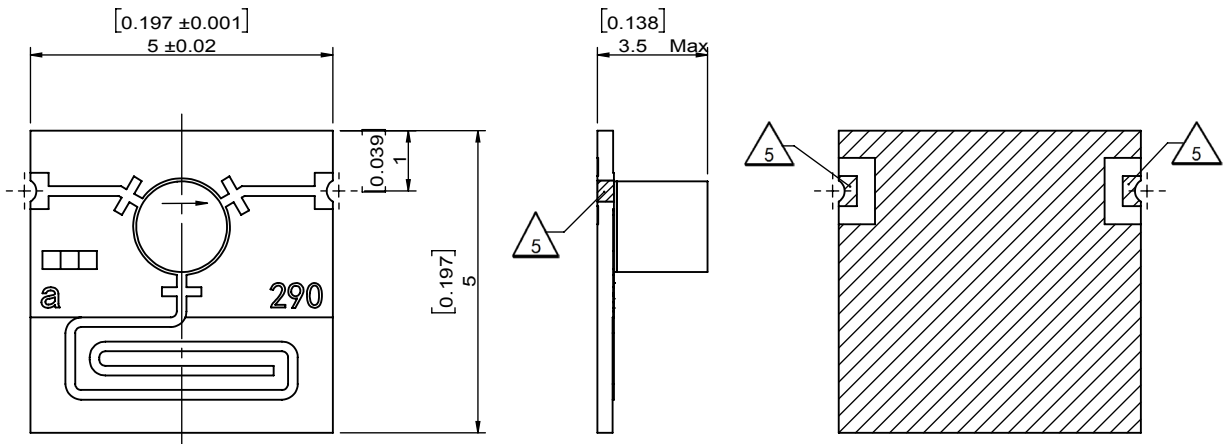


JISM27K0T31K0 is a microstrip isolator in the frequency 27.000~31.000GHz. The device is extremely stable over the temperature range of -30°C to +65°C, with maximum insertion loss of 1.3dB and minimum return loss of 17.2 dB. This circulator can handle a CW Power(W) of 1

Electrical Specification

Part Number	JISM27K0T31K0
Frequency (GHz)	27.000~31.000
Insertion Loss(dB)MAX	1.3
Isolation(dB)MIN	19.0
Return Loss(dB)MIN	17.2
Operating Temperature	-30°C~+65°C
Power FWD/REV/PK(Watt)	1

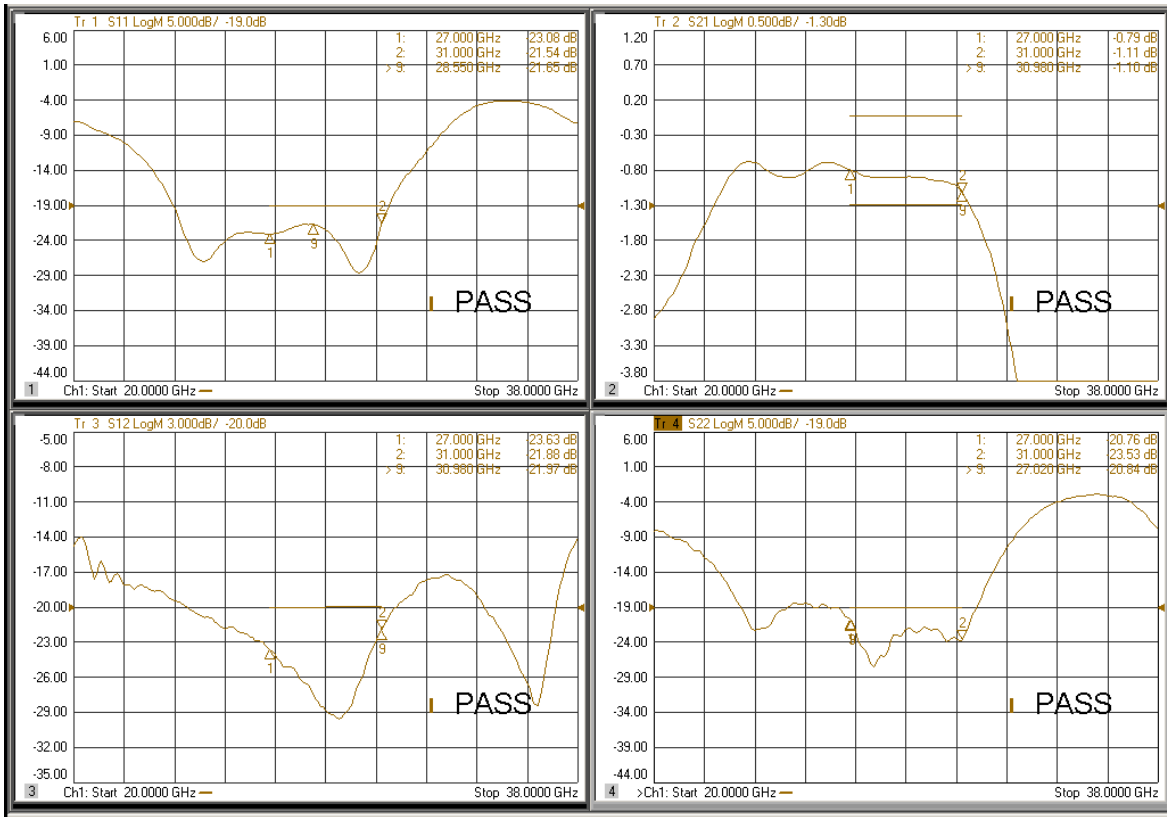
Outline



Ka Band Microstrip Isolator

JISM27K0T31K0

Test Data



Applications

- SATCOM

JQL TECHNOLOGIES
TECHNOLOGY ON THE MOVE