

# S Band Surface Mount Circulator

## JCM2900T3400S18C

### Description:

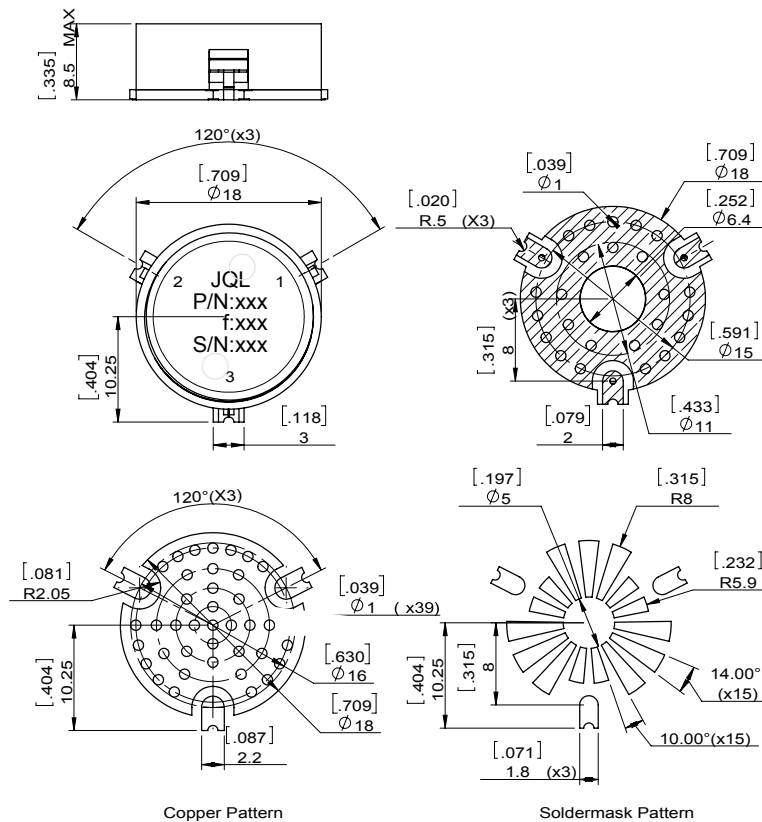


JCM2900T3400S18C is a surface mount circulator in the frequency 2.900~3.400 GHz. The device is extremely stable over the temperature range of -40°C to +85°C, with maximum insertion loss of 0.30@+100°C || 0.35@+125°C and minimum return loss of 19.0dB. It can handle a CCW Power FWD/REV/PK(Watt) of 180/180/600 pulse with 2msec,duty cycle 20%

### Electrical Specification

Part Number	JCM2900T3400S18C
Frequency (GHz)	2.900~3.400
Insertion Loss(dB)MAX	0.30@+100°C    0.35@+125°C
Isolation(dB)MIN	19.0
Return Loss(dB)MIN	19.0
Operating Temperature	-40°C~125°C
Power FWD/REV/PK(Watt)	180/180/600 pulse with 2msec,duty cycle 20%

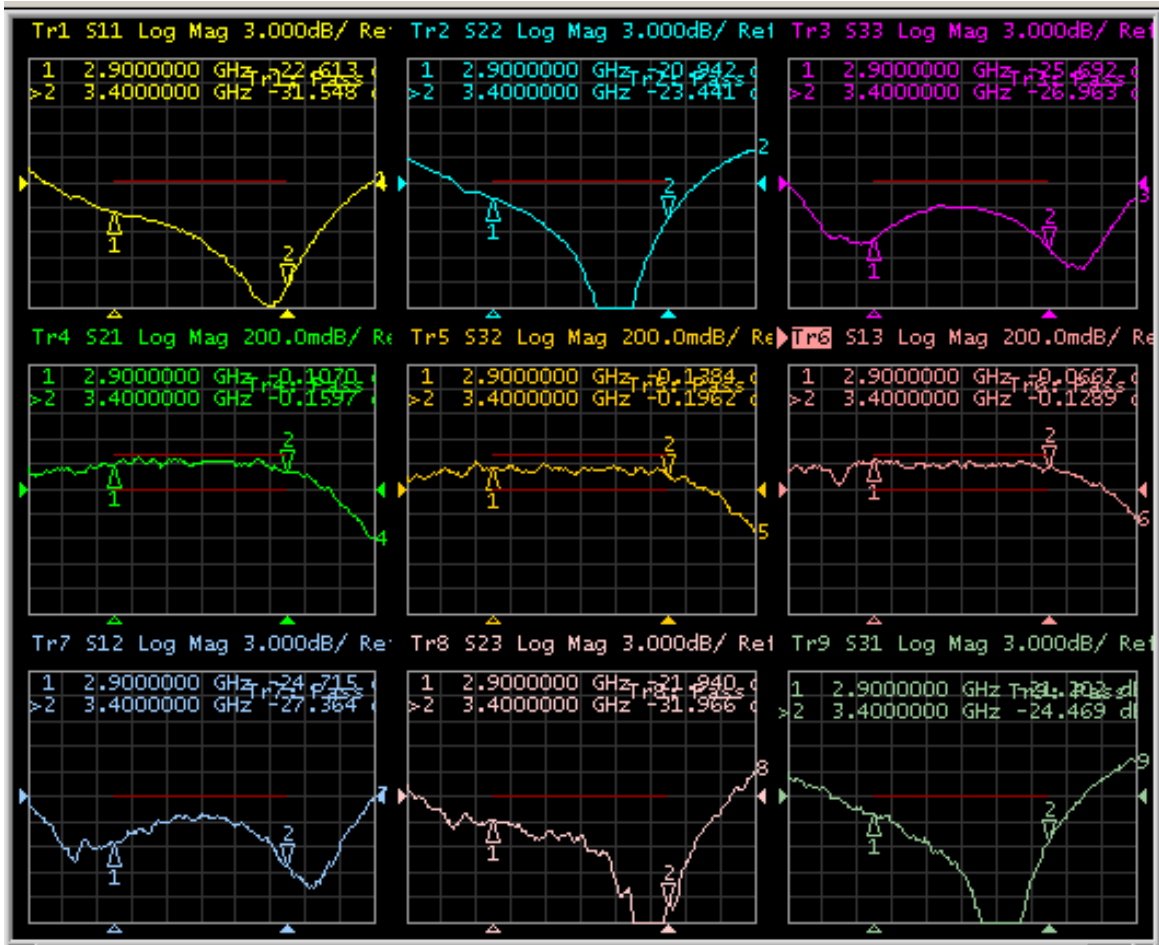
### Outline



# S Band Surface Mount Circulator

## JCM2900T3400S18C

### Test Data



### Applications

- Radar