

# S Band Surface Mount Circulator

## JCM3400T3800PK15

### Description:

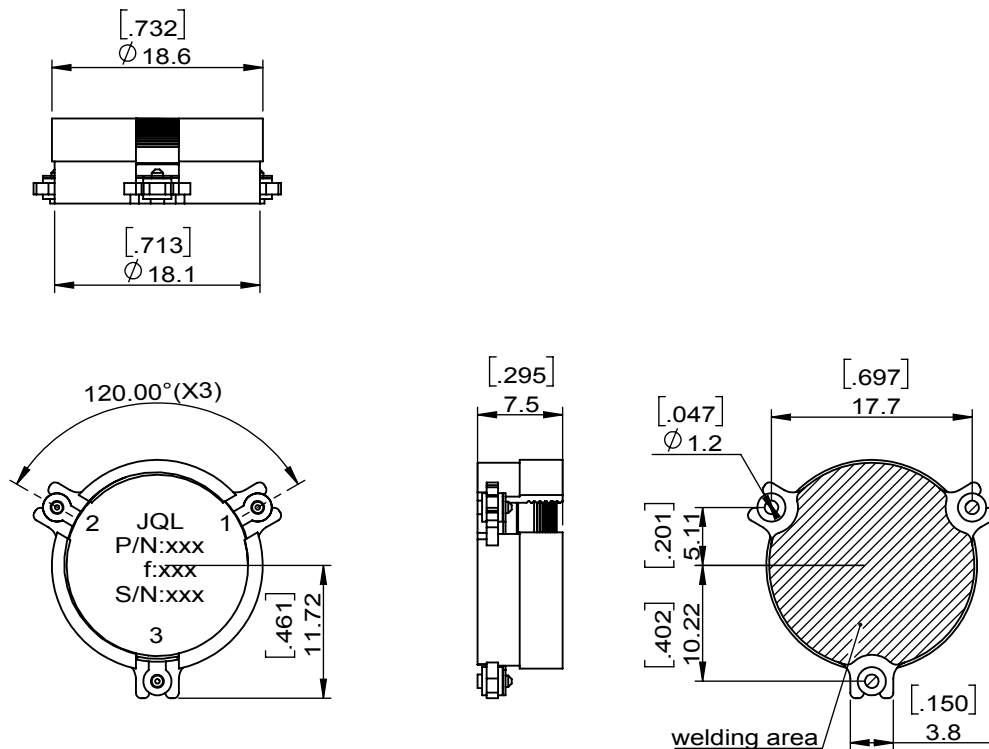


JCM3400T3800PK15 is a surface mount circulator in the frequency 3.400~3.800 GHz. The device is extremely stable over the temperature range of -40°C to +105°C, with maximum insertion loss of 0.25@+25°C || 0.35@-40~+105°C and minimum return loss of 23.0@+25°C(3350MHz~3850MHz) || 18.0@40~+105°C(3350MHz~3850MHz). It can handle a CW Power FWD/REV/PK(Watt) of 150/150/800

### Electrical Specification

Part Number	JCM3400T3800PK15
Frequency (GHz)	3.400~3.800
Insertion Loss(dB)MAX	0.25@+25°C    0.35@-40~+105°C
Isolation(dB)MIN	23.0@+25°C    18.0@-40~+105°C
Return Loss(dB)MIN	23.0@+25°C(3350MHz~3850MHz)    18.0@40~+105°C(3350MHz~3850MHz)
Operating Temperature	-40°C~105°C
Power FWD/REV/PK(Watt)	150/150/800

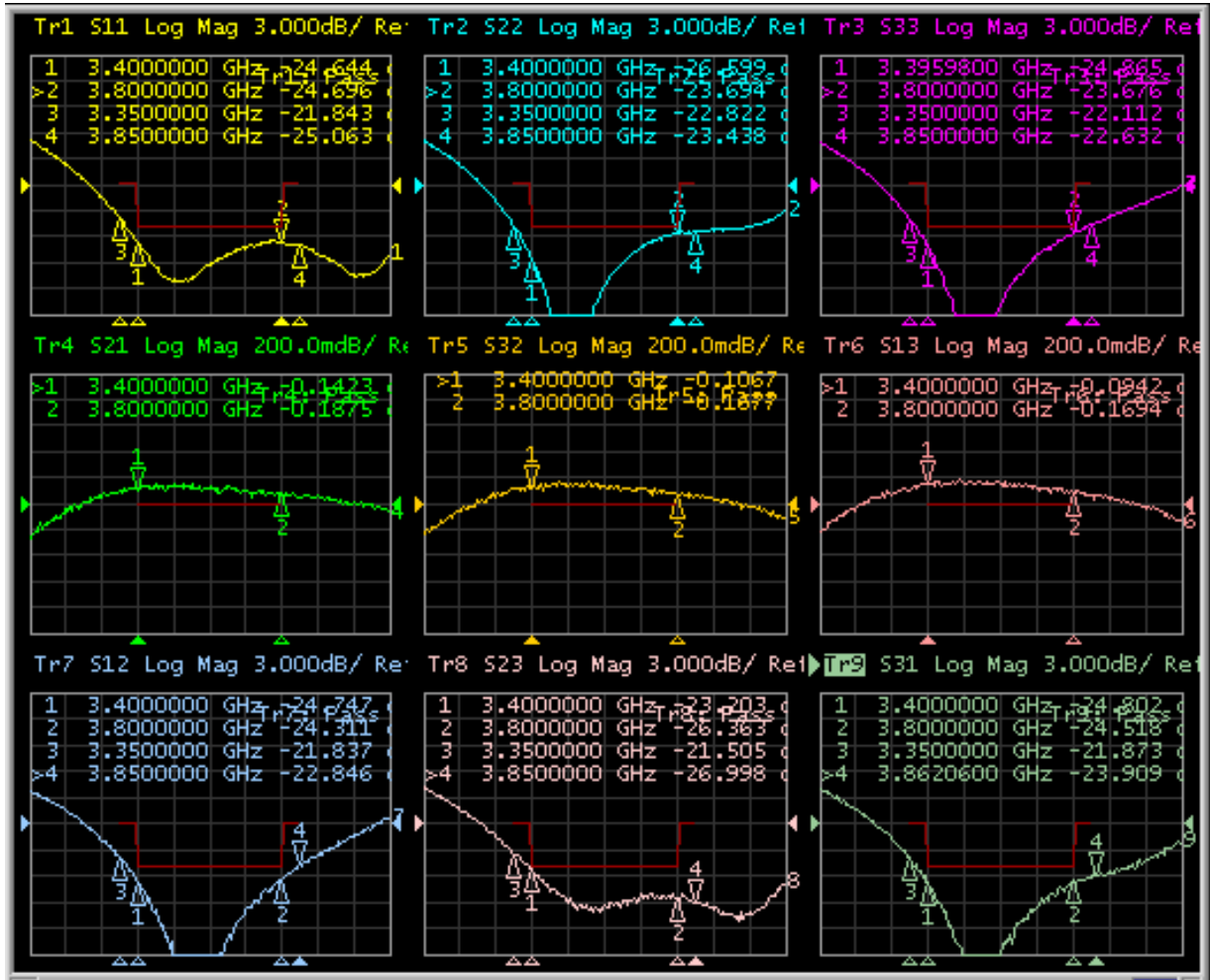
### Outline



# S Band Surface Mount Circulator

JCM3400T3800PK15

## Test Data



## Applications

- Telecom