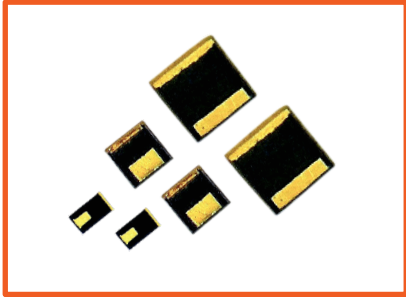


CVD Diamond Terminations

JDR-0404-15-18G

Description:

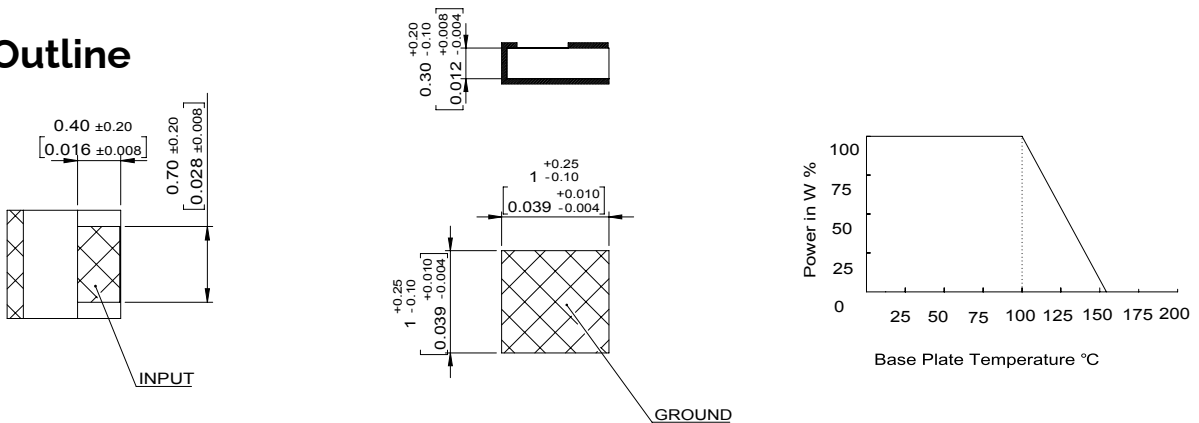


CVD Diamond Chip Terminations are a proven design for microwave applications. This is unique because of the smaller size and weight that can handle high power, both CW and peak. The terminations are manufactured using thin film technology, ideal for peak power applications. It has gold finish, making it convenient for mounting using wire bondable as well as solderable technologies.

Specification

Part Number	JDR-0404-15-18G
Frequency (GHz)	DC ~ 18.0GHz
Input Power	15 Watts
VSWR	1.25
Resistance	50ohm±5%
Temperature Coefficient	±200ppm/°C
Operating Temperature	-55 °C ~ +155 °C
Resistor Construction	Thin Film
Terminal Material	Ag/Ni or Au/Ni
Substrate	CVD Diamond

Outline



Features

- Small footprint
- Excellent Power Handling Capability
- Wire Bondable, Solderable and Surface Mountable
- RoHS Compliant
- Tape & Reel or Waffle packaging available

Applications

- Isolators
- Filters
- High Power Amplifiers
- Satellite Communications
- Radar
- RF power modules