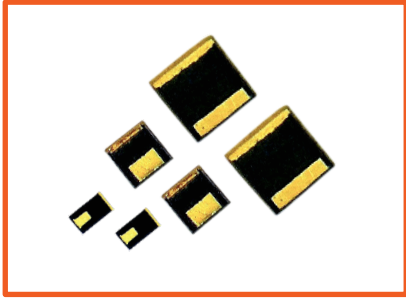


# CVD Diamond Terminations

JDR-066035-50-28G

## Description:

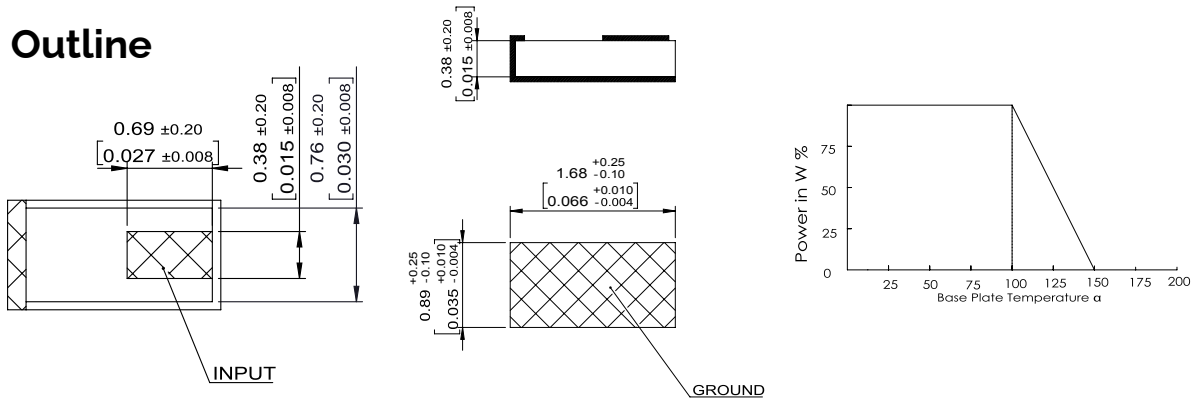


CVD Diamond Chip Terminations are a proven design for microwave applications. This is unique because of the smaller size and weight that can handle high power, both CW and peak. The terminations are manufactured using thin film technology, ideal for peak power applications. It has gold finish, making it convenient for mounting using wire bondable as well as solderable technologies.

## Specification

Part Number	JDR-066035-50-28G
Frequency (GHz)	DC ~28.0 GHz
Input Power	50 Watts
VSWR	1.60
Resistance	50ohm±5%
Temperature Coefficient	±200ppm/°C
Operating Temperature	-55 °C ~ +150 °C
Resistor Construction	Thin Film
Terminal Material	Gold over Nickel
Substrate	CVD Diamond

## Outline



## Features

- Small footprint
- Excellent Power Handling Capability
- Wire Bondable, Solderable and Surface Mountable
- RoHS Compliant
- Tape & Reel or Waffle packaging available

## Applications

- Isolators
- Filters
- High Power Amplifiers
- Satellite Communications
- Radar
- RF power modules