

UHF Band Surface Mount Circulator

JCM0902T0928PLO

Description:

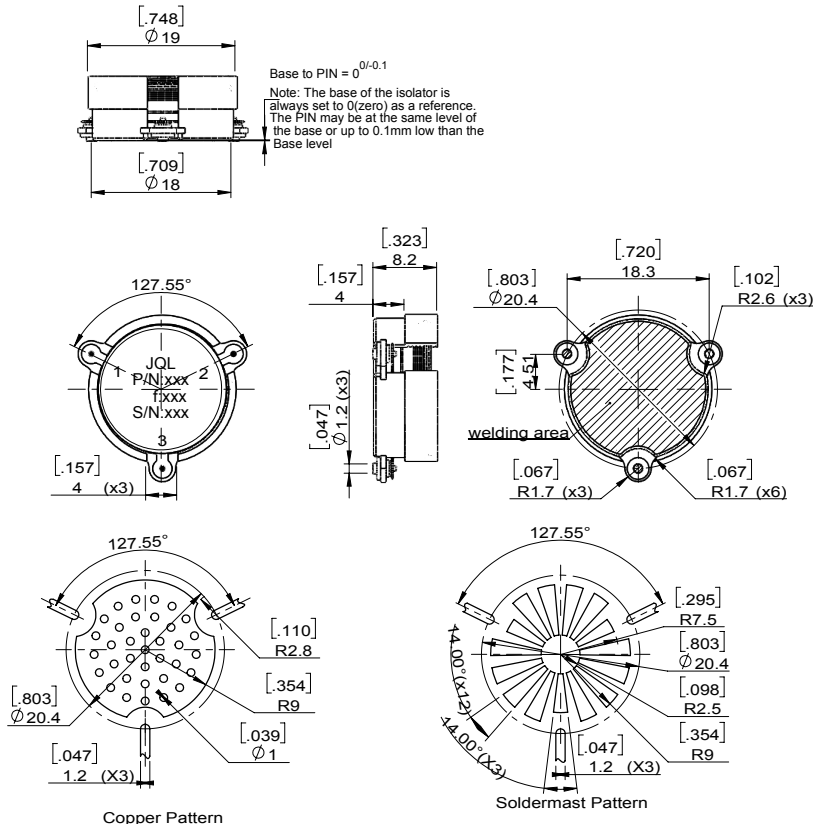


JCM0902T0928PLO is a surface mount circulator in the frequency 0.902~0.928GHz. The device is extremely stable over the temperature range of 0°C to +85°C, with maximum insertion loss of 0.30dB and minimum return loss of 22.0@+25°C || 20.0@0~+85°C. It can handle a CW Power FWD/REV/PK(Watt) of 1/1/-

Electrical Specification

Part Number	JCM0902T0928PLO
Frequency (GHz)	0.902~0.928
Insertion Loss(dB)MAX	0.30
Isolation(dB)MIN	22.0@+25°C 20.0@0~+85°C
Return Loss(dB)MIN	22.0@+25°C 20.0@0~+85°C
Operating Temperature	0°C~+85°C
Power FWD/REV/PK(Watt)	1/1/-

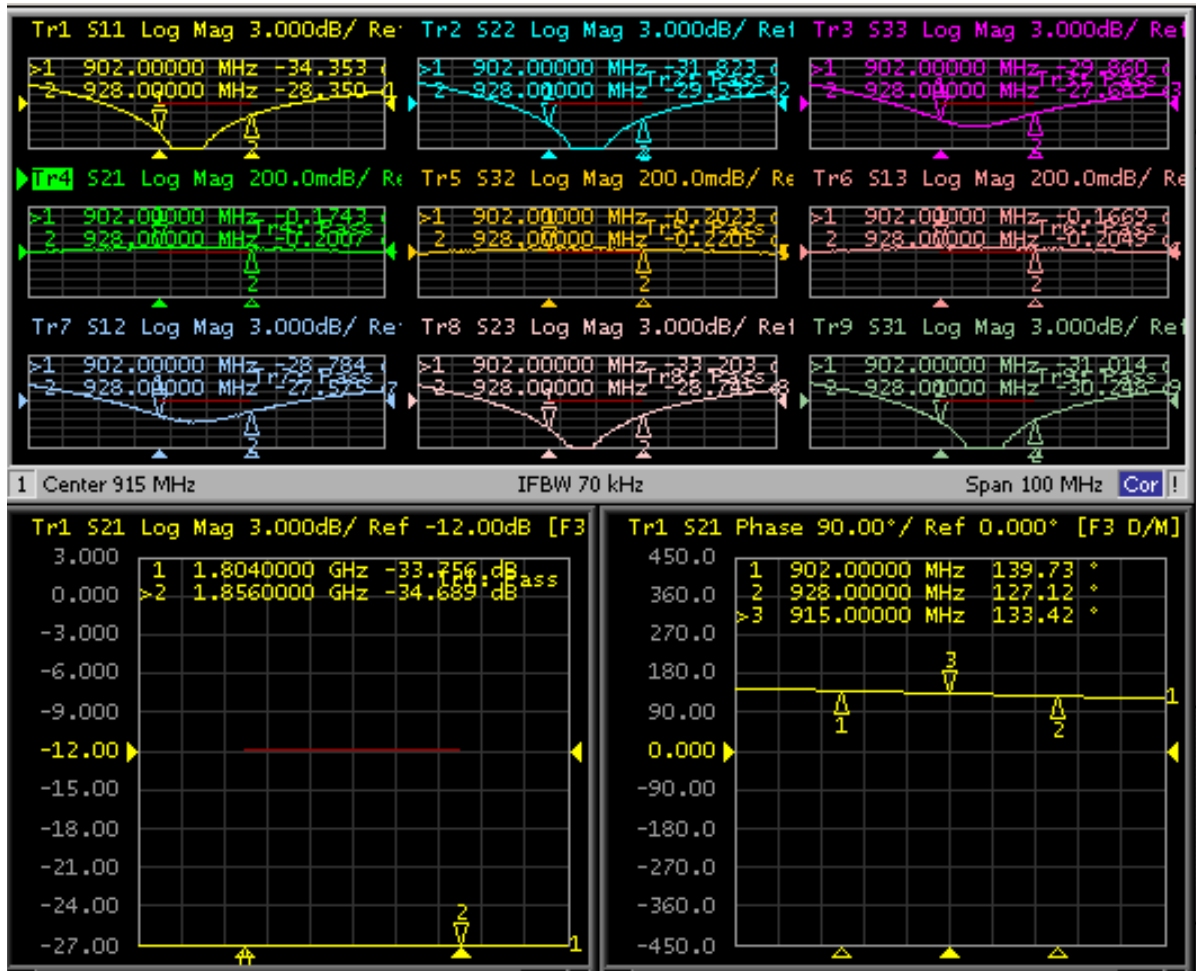
Outline



UHF Band Surface Mount Circulator

JCM0902T0928PL0

Test Data



Applications

- Telecom