

Ku Band Surface Mount Circulator

JCM13K1T15K3PC0

Description:

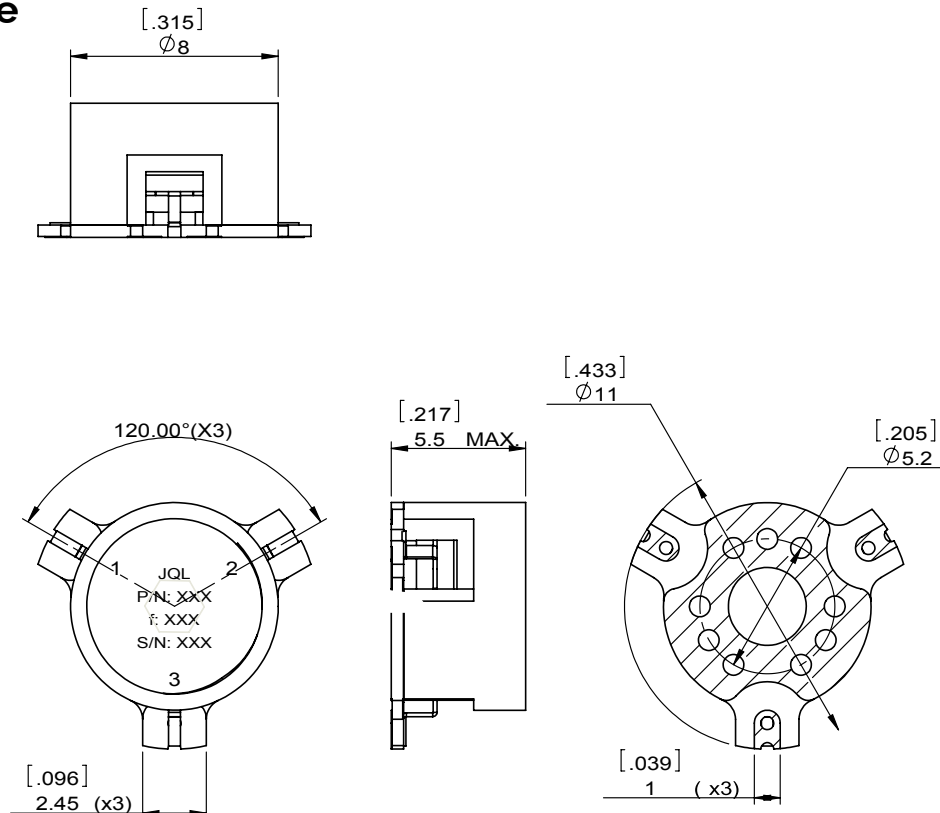


JCM13K1T15K3PC0 is a surface mount circulator in the frequency 13.100~15.300GHz. The device is extremely stable over the temperature range of -20°C to +70°C, with maximum insertion loss of 0.7dB and minimum return loss of 16.0dB. It can handle a CW Power FWD/REV/PK(Watt) of 2/2/-

Electrical Specification

Part Number	JCM13K1T15K3PC0
Frequency (GHz)	13.100~15.300
Insertion Loss(dB)MAX	0.7
Isolation(dB)MIN	16.0
Return Loss(dB)MIN	16.0
Operating Temperature	-20°C~70°C
Power FWD/REV/PK(Watt)	2/2/-

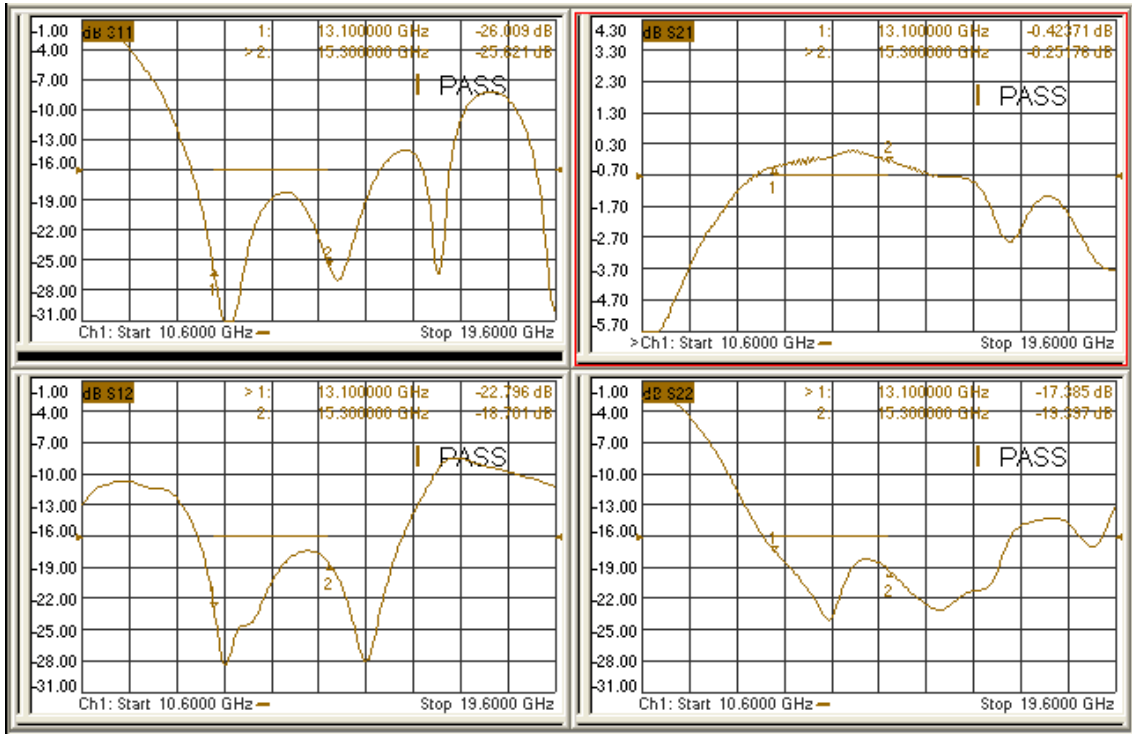
Outline



Ku Band Surface Mount Circulator

JCM13K1T15K3PC0

Test Data



Applications

- Radar

JQL TECHNOLOGIES
TECHNOLOGY ON THE MOVE