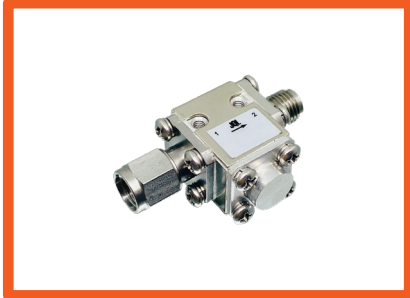


K Band Coaxial Isolator

JIC17K2T18K2SMSF0

Description:

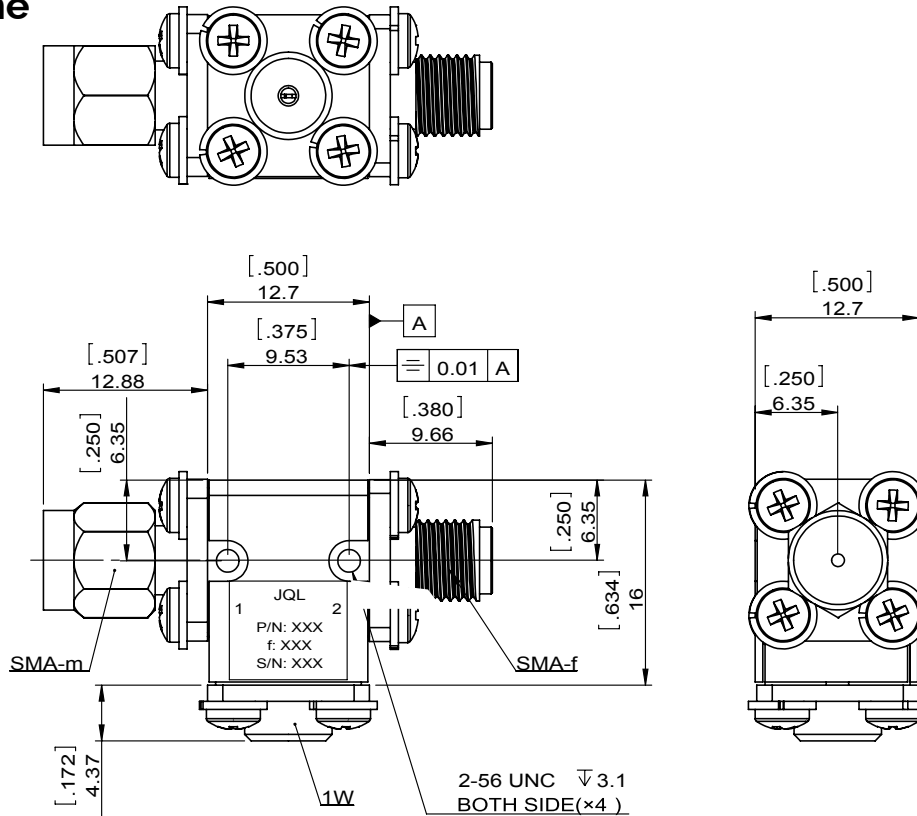


JIC17K2T18K2SMSF0 is a coaxial Isolator in the frequency 17.20~18.20GHz. The device is extremely stable over the temperature range of -40°C to +85°C, with maximum insertion loss of 0.40dB and minimum return loss of 20.0dB. It can handle a Power FWD/REV/PK(Watt) of 1/1/-

Electrical Specification

Part Number	JIC17K2T18K2SMSF0
Frequency (GHz)	17.20~18.20
Insertion Loss(dB)MAX	0.40
Isolation(dB)MIN	20.0
Return Loss(dB)MIN	20.0
Operating Temperature	-40°C~85°C
Power FWD/REV/PK(Watt)	1/1/-

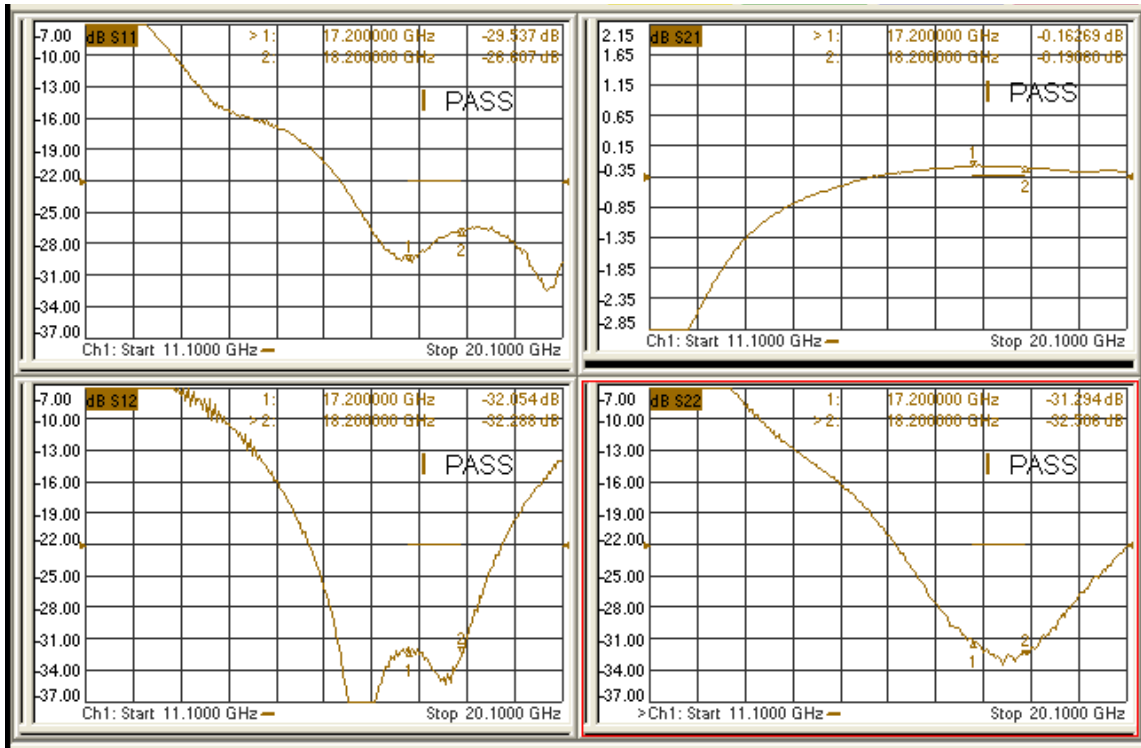
Outline



K Band Coaxial Isolator

JIC17K2T18K2SMSF0

Test Data



Applications

- Broadband

JQL TECHNOLOGIES
TECHNOLOGY ON THE MOVE