

L Band Surface Mount Circulator

JCM1200T1400PK7

Description:

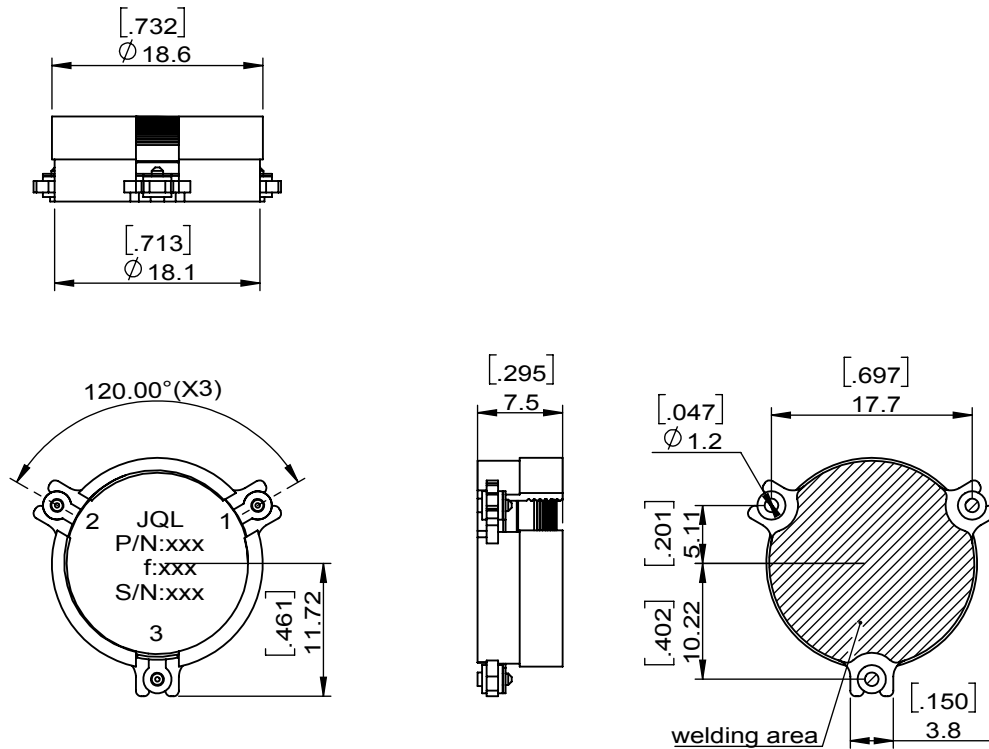


JCM1200T1400PK7 is a surface mount circulator in the frequency 1.200~1.400GHz. The device is extremely stable over the temperature range of -40°C to +85°C, with maximum insertion loss of 0.35 and minimum return loss of 20.0. It can handle a CW Power FWD/REV/PK(Watt) of 70/70/350

Electrical Specification

Part Number	JCM1200T1400PK7
Frequency (GHz)	1.200~1.400
Insertion Loss(dB)MAX	0.35
Isolation(dB)MIN	20.0
Return Loss(dB)MIN	20.0
Operating Temperature	-40°C~85°C
Power FWD/REV/PK(Watt)	70/70/350

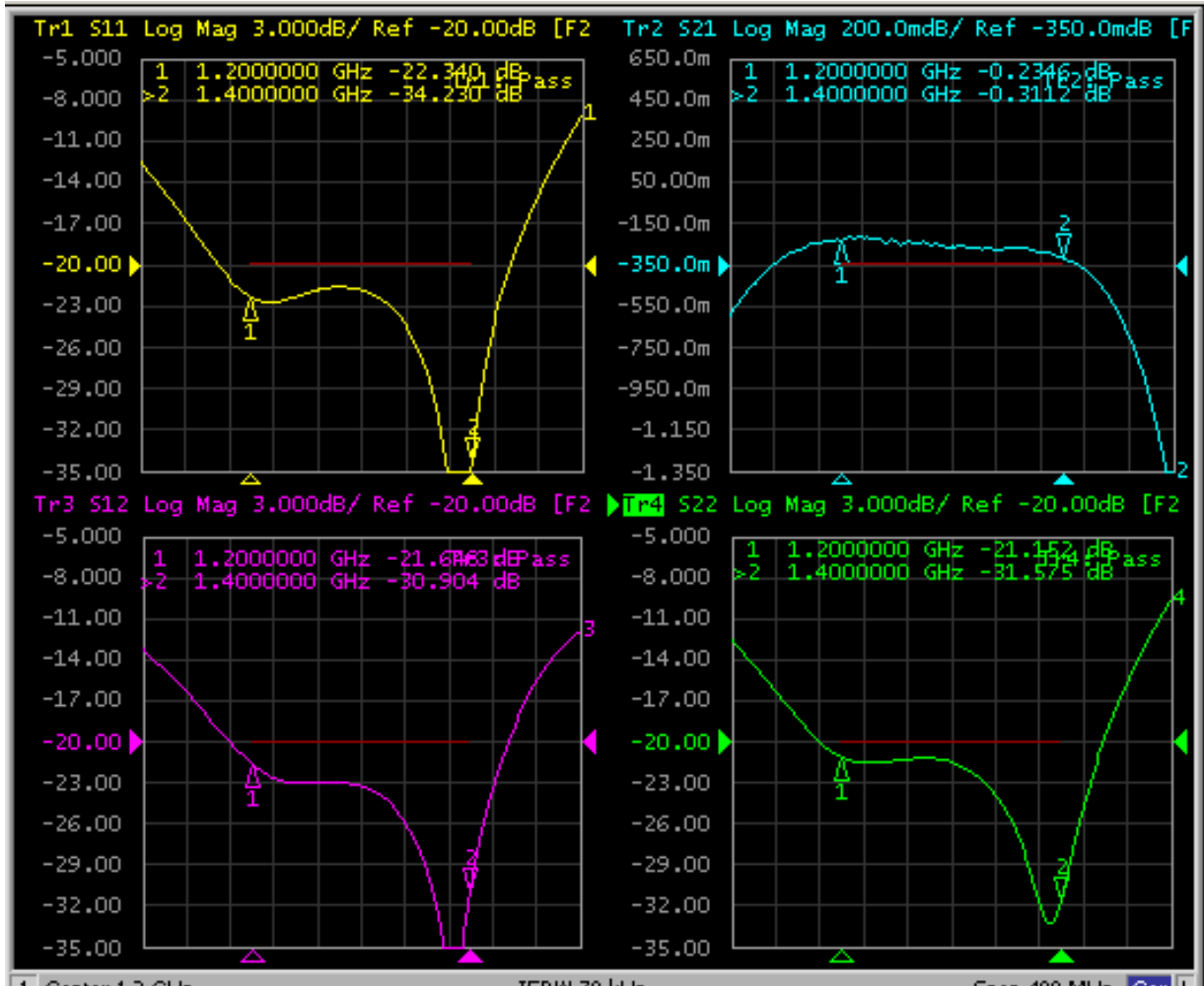
Outline



L Band Surface Mount Circulator

JCM1200T1400PK7

Test Data



Applications

- Telecom