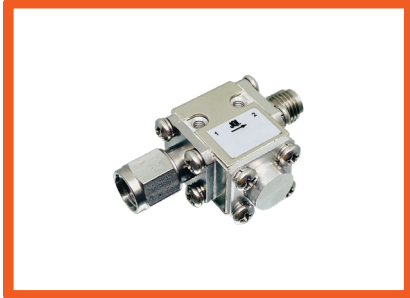


Ka Band Coaxial Isolator

60D313V-K03

Description:

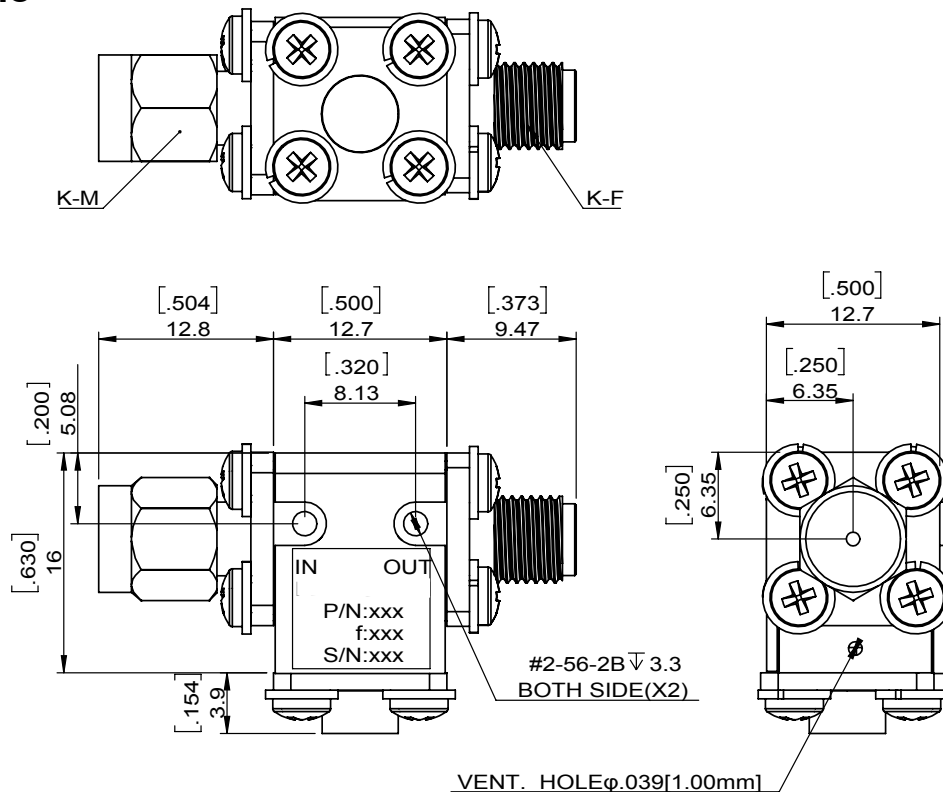


60D313V-K03 is a coaxial Isolator in the frequency 37.5~40.5GHz. The device is extremely stable over the temperature range of -40°C to +85°C, with maximum insertion loss of 1.20dB and minimum return loss of 18.0dB. It can handle a Power FWD/REV/PK(Watt) of 5/1/10

Electrical Specification

Part Number	60D313V-K03
Frequency (GHz)	37.5~40.5
Insertion Loss(dB)MAX	1.20
Isolation(dB)MIN	18.0
Return Loss(dB)MIN	18.0
Operating Temperature	-40°C~85°C
Power FWD/REV/PK(Watt)	5/1/10

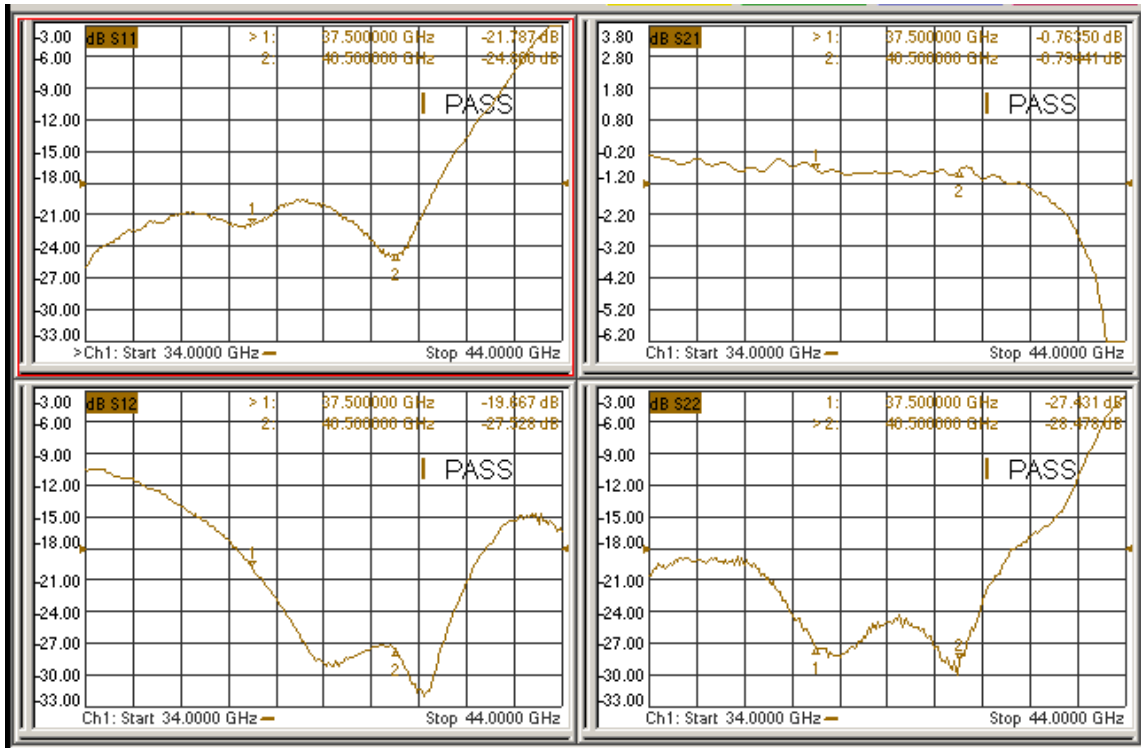
Outline



Ka Band Coaxial Isolator

60D313V-K03

Test Data



Applications

- SATCOM

JQL TECHNOLOGIES
TECHNOLOGY ON THE MOVE